

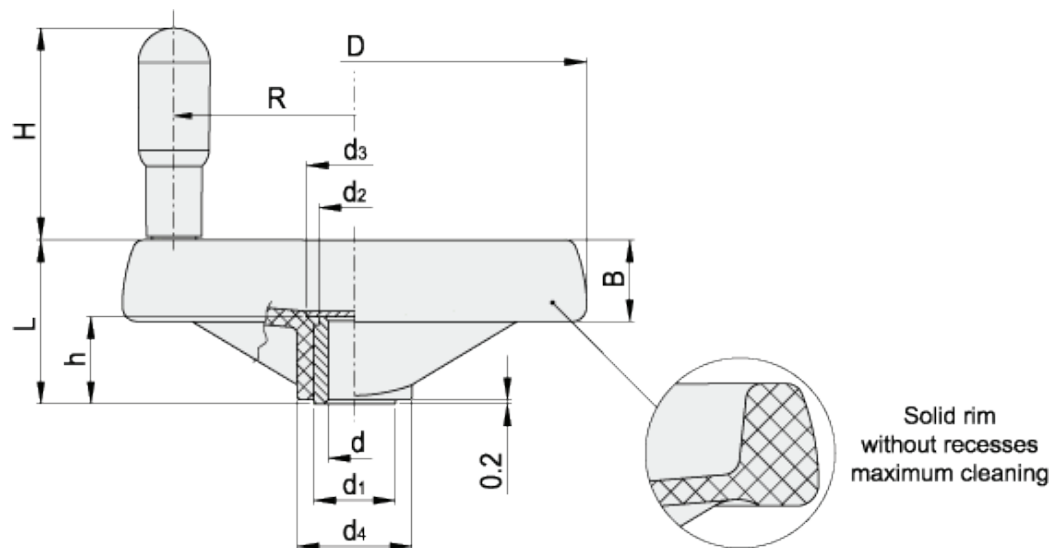
# VRTP-P+I-SST



Spoked handwheels  
with solid section  
and revolving handle



ELESA Original design



## technical informations

### Material

High-resilience polypropylene based (PP) technopolymer. Resistant to solvents, oils, greases and other chemical agents. Certified in compliance with FDA (U.S. Food and Drug Administration).

### Colour

Black, matte finish.

### Boss-cap

AISI 304 stainless steel self-adhesive front plate (adhesive certified in compliance with FDA U.S. Food and Drug Administration).

### Standard execution

AISI 304 stainless steel boss, H7 reamed hole.

See table for maximum permissible boring diameters d' and d".

Polyamide based (PA) technopolymer revolving handle type I.621, certified in compliance with FDA, black colour, matte finish.  
AISI 304 stainless steel pin.

**Special executions on request**

Boss with hole and keyway in compliance with **DIN 6885/1 P9 tolerance**.

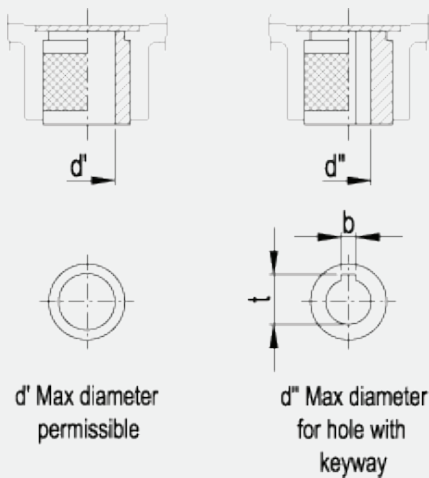
To order the handwheel with keyway complete code and description with the index -K (i.e. 79111-K VRTP.80-P+I-SST-8-K).

**Accessories on request**

Axial retaining washer type **GN 184.5**.

**Features and applications**

The solid rim of the handwheel allows the maximum cleaning thanks to the absence of rear recesses. For this reason, being the technopolymer polypropylene based and the metal components in AISI 304 stainless steel, this version of VRTP. handwheel is designed for applications in food, pharmaceutical and medical fields.



Standard Elements		Main dimension								Bore		Handle		Max permissible holes				C #	L #	Weight
Code	Description	D	L	B	d <sub>1</sub>	d <sub>2</sub>	d <sub>3</sub>	d <sub>4</sub>	d <sub>H7</sub>	h	H	R	d'	d''	t	b	[Nm]	[J]	g	
79111-R	VRTP.80-P+I-SST-8	80	35	18	18	16	20.5	25	8	17	45	29	10	10	11.4	3	32	5	104	
79161-R	VRTP.100-P+I-SST-10	99	37	20	18	16	20.5	25.5	10	17	60	37	10	10	11.4	3	54	7	145	
79211-R	VRTP.125-P+I-SST-12	125	44	22	22	20	26	31	12	22	65	48	14	14	16.3	5	94	10	245	
79261-R	VRTP.160-P+I-SST-14	160	51	25	26	24	32	40	14	27	73	65	18	18	20.8	6	185	15	356	
79311-R	VRTP.200-P+I-SST-16	200	61	28	30	28	36	50	16	34	80	84	20	20	22.8	6	300	24	552	

# See **Technical Data** for maximum applicable torque (C) and impact strength (L).

**This product had the following design awards:**



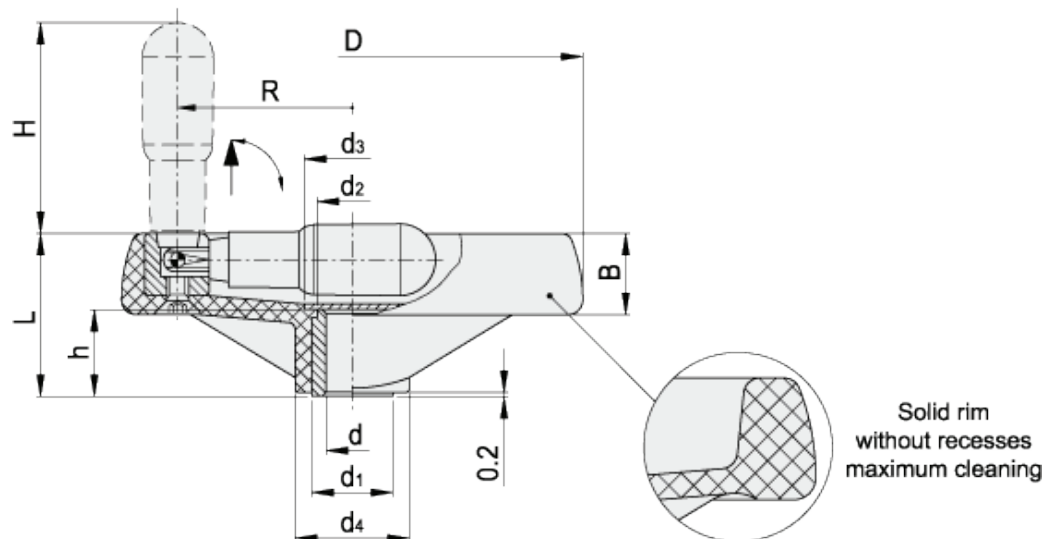
# VRTP-P+IR-SST



Spoked handwheels with solid section  
and fold-away handle



ELESA Original design



## technical informations

### Material

High-resilience polypropylene based (PP) technopolymer. Resistant to solvents, oils, greases and other chemical agents. Certified in compliance with FDA (U.S. Food and Drug Administration).

### Colour

Black, matte finish.

### Boss-cap

AISI 304 stainless steel self-adhesive front plate (adhesive certified in compliance with FDA U.S. Food and Drug Administration).

### Standard execution

AISI 304 stainless steel boss, H7 reamed hole.

See table for maximum permissible boring diameters  $d'$  and  $d''$ .

Polyamide based (PA) technopolymer fold-away handle type IR.620, certified in compliance with FDA, black colour, matte finish. AISI 304 stainless steel pin, bushing and internal components, AISI 316L stainless steel support.

**Special executions on request**

Bosses with hole and keyway in compliance with **DIN 6885/1 P9 tolerance**.

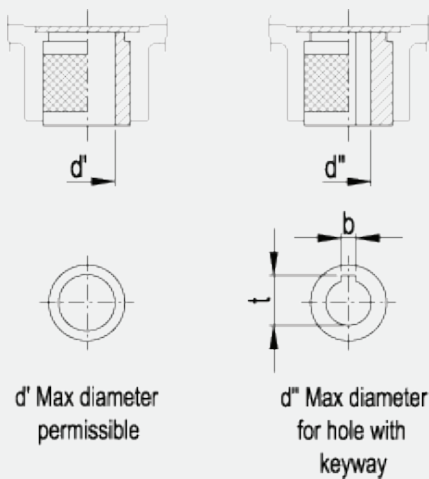
To order the handwheel with keyway complete code and description with the index -K (i.e. 79121-K VRTP.80-P+IR-SST-8-K).

**Accessories on request**

Axial retaining washer type **GN 184.5**.

**Features and applications**

The solid rim of the handwheel allows the maximum cleaning thanks to the absence of rear recesses. For this reason, being the technopolymer polypropylene based and the metal components in AISI 304 stainless steel, this version of VRTP. handwheel is designed for applications in food, pharmaceutical and medical fields.



Standard Elements		Main dimensions								Bore		Handle		Max permissible holes				C #	L #	Weight
Code	Description	D	L	B	$d_1$	$d_2$	$d_3$	$d_4$	$d_{H7}$	h	H	R	$d'$	$d''$	t	b	[Nm]	[J]	g	
79121-R	VRTP.80-P+IR-SST-8	80	35	18	18	16	20.5	25	8	17	45	29	14	10	12.8	4	32	5	102	
79171-R	VRTP.100-P+IR-SST-10	99	37	20	18	16	20.5	25.5	10	17	60	37	14	10	15.3	5	54	7	163	
79221-R	VRTP.125-P+IR-SST-12	125	44	22	22	20	26	31	12	22	65	48	18	14	18.3	5	94	10	230	
79271-R	VRTP.160-P+IR-SST-14	160	51	25	26	24	32	40	14	27	73	65	20	18	18.3	5	185	15	388	
79321-R	VRTP.200-P+IR-SST-16	200	61	28	30	28	36	50	16	34	80	84	24	20	24.8	6	300	24	593	

# See **Technical Data** for maximum applicable torque (C) and impact strength (L).

**This product had the following design awards:**





ELESA and GANTER models all rights reserved in accordance with the law. Always mention the source when reproducing our drawings.

STANDARD MACHINE ELEMENTS WORLDWIDE