



E5 Cam Latch

Zinc · Tool operated · Long Housing · Fixed grip

- Single hole install
- Latched / unlatched indicator
- Suitable for thick doors

Material and Finish

Zinc alloy, powder coated or chrome plated and steel, zinc plated

Performance Details

Maximum static load: 30 N (74 lbf)

Installation Notes

Mounting nut:
Maximum tightening torque:
10 N·m (88 in·lbf)

Screw Maximum tightening torque:
5 N·m (45 in·lbf)

Sealing Notes

NEMA 4 / IP65 achieved using gasket supplied

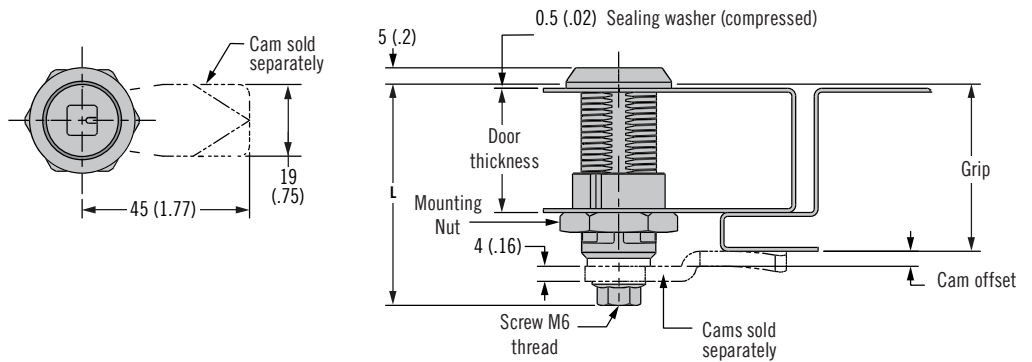
Keys and Accessories

See page 130

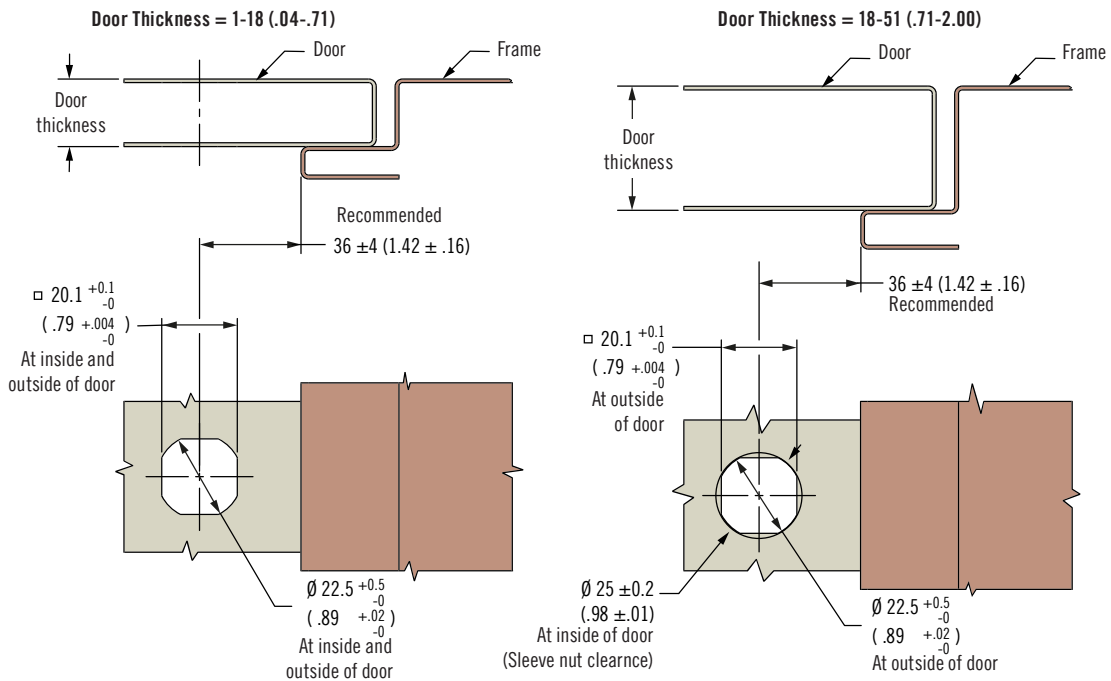
Part Number Selection

See table
Order latch and cam separately

Compatible with flat and roller cams
- See page 127B, Long Housing
Table for cam part numbers



Door Preparation



Optional Keeper for Roller Cam

Part number E5-74-601-33



www.southco.com/E5



- H Head style** (See pg 117 for details)
- | | |
|-----------------------|-------------------------------------|
| 00 Slotted | 08 8 (.32) Square recess |
| 01 8 (.32) Hex recess | 13 Bellcore 216 |
| 02 7 (.28) Triangle | 19 Bellcore Electronics |
| 03 8 (.32) Triangle | 21 Recessed slot (tamper resistant) |
| 04 7 (.28) Square | 22 Railway standard |
| 05 8 (.32) Square | 23 Blank |
| 06 3 (.11) Double bit | |
| 07 5 (.19) Double bit | |

D	Door Thickness	Grip Range	L
1	1-18 (.04-.71)	5-53 (.20-2.09)	45.5 (1.79)
2	1-18 (.04-.71)	54-82 (2.13-3.23)	68.2 (2.69)
3	18-33 (.71-1.30)	18-66 (.71-2.60)	58.2 (2.29)
4	18-33 (.71-1.30)	68-82 (2.60-3.23)	68.2 (2.69)
5	33-51 (1.30-2.00)	34-82 (1.34-3.23)	68.2 (2.69)

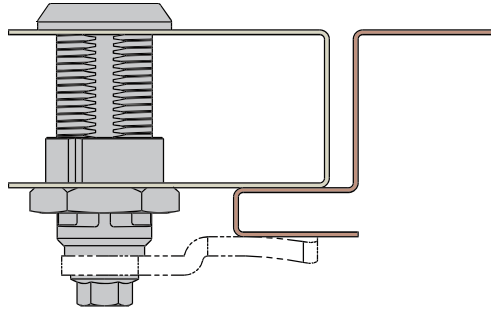
Dimensions in millimeters (inch) unless otherwise stated

E5 Cam Latch Cams



127B

Long Housing Table



Material and Finish

Flat cam: steel

Roller cam: steel, nylon

Part Number Selection

See table for cam part number

Order latch and cam separately

For latch part number, see pages 119-119A

E5 - 6A - H F - UU D

D	Door Thickness	Grip Range
1	1-18 (.04-.71)	5-53 (.20-2.09)
2	1-18 (.04-.71)	54-82 (2.13-3.23)
3	18-33 (.71-1.30)	18-66 (.71-2.60)
4	18-33 (.71-1.30)	68-82 (2.60-3.23)
5	33-51 (1.30-2.00)	34-82 (1.34-3.23)

Cam Part Number Table (order separately from latch)

D	Grip +2 (.08) -0 (.00)	Flat Cam Part Number	Roller Cam Part Number	Grip +2 (.08) -0 (.00)	Flat Cam Part Number	Roller Cam Part Number	Grip +2 (.08) -0 (.00)	Flat Cam Part Number	Roller Cam Part Number	Grip +2 (.08) -0 (.00)	Flat Cam Part Number	Roller Cam Part Number	Grip +2 (.08) -0 (.00)	Flat Cam Part Number	Roller Cam Part Number
1	5 (.2)	E5-6028	-	15 (.59)	E5-6023	-	25 (.98)	E5-6005	-	35 (1.38)	E5-6010	E5-7010	45 (1.77)	E5-6015	E5-7015
	7 (.28)	E5-6027	-	17 (.67)	E5-6001	-	27 (1.06)	E5-6006	-	37 (1.46)	E5-6011	E5-7011	47 (1.85)	E5-6016	E5-7016
	9 (.35)	E5-6026	-	19 (.75)	E5-6002	-	29 (1.14)	E5-6007	-	39 (1.54)	E5-6012	E5-7012	49 (1.93)	E5-6017	E5-7017
	11 (.43)	E5-6025	-	21 (.83)	E5-6003	-	31 (1.22)	E5-6008	-	41 (1.61)	E5-6013	E5-7013	51 (2.01)	E5-6018	E5-7018
	13 (.51)	E5-6024	-	23 (.91)	E5-6004	-	33 (1.3)	E5-6009	E5-7009	43 (1.69)	E5-6014	E5-7014	53 (3.07)	E5-6019	E5-7019
2	54 (2.13)	E5-6108	-	60 (2.36)	E5-6111	E5-7111	66 (2.6)	E5-6114	E5-7114	72 (2.83)	E5-6117	E5-7117	78 (3.07)	E5-6120	E5-7120
	56 (2.2)	E5-6109	E5-7109	62 (2.44)	E5-6112	E5-7112	68 (2.68)	E5-6115	E5-7115	74 (2.91)	E5-6118	E5-7118	80 (3.15)	E5-6121	E5-7121
	58 (2.28)	E5-6110	E5-7110	64 (2.52)	E5-6113	E5-7113	70 (2.76)	E5-6116	E5-7116	76 (2.99)	E5-6119	E5-7119	82 (3.23)	E5-6122	E5-7122
3	18 (.71)	E5-6128	E5-7118	28 (1.1)	E5-6123	E5-7113	38 (1.5)	E5-6105	-	48 (1.89)	E5-6110	E5-7110	58 (2.28)	E5-6115	E5-7115
	20 (.79)	E5-6127	E5-7117	30 (1.18)	E5-6101	E5-7112	40 (1.57)	E5-6106	-	50 (1.97)	E5-6111	E5-7111	60 (2.36)	E5-6116	E5-7116
	22 (.87)	E5-6126	E5-7116	32 (1.26)	E5-6102	E5-7111	42 (1.65)	E5-6107	-	52 (2.05)	E5-6112	E5-7112	62 (2.44)	E5-6117	E5-7117
	24 (.94)	E5-6125	E5-7115	34 (1.34)	E5-6103	E5-7110	44 (1.73)	E5-6108	-	54 (2.13)	E5-6113	E5-7113	64 (2.52)	E5-6118	E5-7118
4	26 (1.02)	E5-6124	E5-7114	36 (1.42)	E5-6104	E5-7109	46 (1.81)	E5-6109	E5-7109	56 (2.2)	E5-6114	E5-7114	66 (2.6)	E5-6119	E5-7119
	66 (2.6)	E5-6114	E5-7114	70 (2.76)	E5-6116	E5-7116	74 (2.91)	E5-6118	E5-7118	78 (3.07)	E5-6120	E5-7120	82 (3.23)	E5-6122	E5-7122
5	68 (2.68)	E5-6115	E5-7115	72 (2.83)	E5-6117	E5-7117	76 (2.99)	E5-6119	E5-7119	80 (3.15)	E5-6121	E5-7121	-	-	-
	34 (1.34)	E5-6125	E5-7115	44 (1.73)	E5-6103	E5-7110	54 (2.13)	E5-6108	-	64 (2.52)	E5-6113	E5-7113	74 (2.91)	E5-6118	E5-7118
	36 (1.42)	E5-6124	E5-7114	46 (1.81)	E5-6104	E5-7109	56 (2.2)	E5-6109	E5-7109	66 (2.6)	E5-6114	E5-7114	76 (2.99)	E5-6119	E5-7119
	38 (1.5)	E5-6123	E5-7113	48 (1.89)	E5-6105	-	58 (2.28)	E5-6110	E5-7110	68 (2.68)	E5-6115	E5-7115	78 (3.07)	E5-6120	E5-7120
	40 (1.57)	E5-6101	E5-7112	50 (1.97)	E5-6106	-	60 (2.36)	E5-6111	E5-7111	70 (2.76)	E5-6116	E5-7116	80 (3.15)	E5-6121	E5-7121
42 (1.65)	E5-6102	E5-7111	52 (2.05)	E5-6107	-	62 (2.44)	E5-6112	E5-7112	72 (2.83)	E5-6117	E5-7117	82 (3.23)	E5-6122	E5-7122	

If grip falls between two choices, use the smaller options