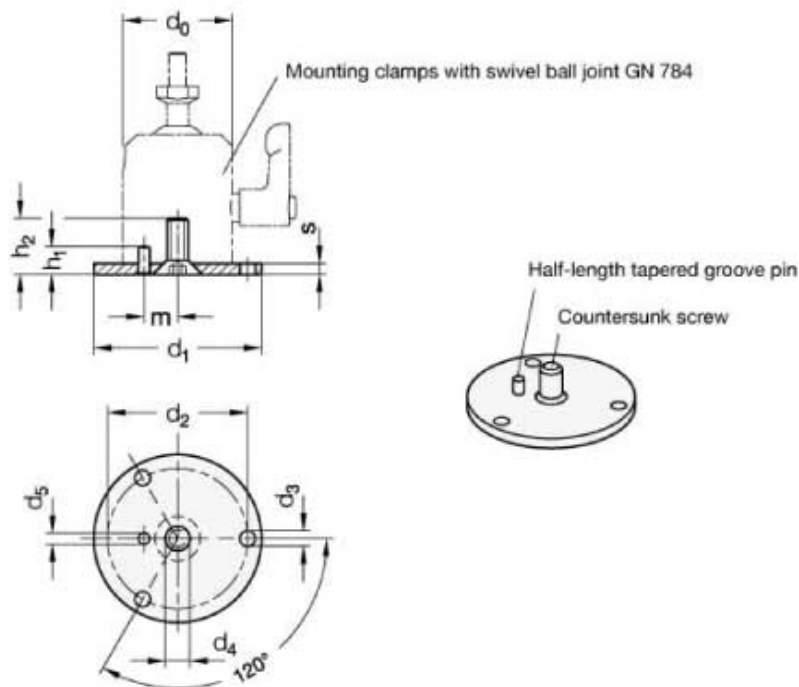


GN 784.1

Flanges



INOX
Stainless Steel



technical informations

Specification

Stainless Steel AISI 304
matte, tumbled finish MT

Countersunk screws DIN 7991
Stainless Steel AISI 304

Half-length tapered groove pin DIN 8745
Stainless Steel AISI 304

Information

The GN 784.1 flanges are mounted from below onto the GN 784 mounting clamps, with swivel ball Joint. A half-length tapered groove pin prevents any Rotation.

The flange enables the mounting clamps with swivel ball Joints to be mounted on the upper surface. The d2 section with the three d3 drill holes is configured so that Standard screws with washers can be used.

The half-length tapered groove pin is mounted on the flange. The countersunk screw is included seperately.

Standard Elements	Main dimensions										Weight
Description	d ₀	d ₁	d ₂	d ₃	d ₄	d ₅	h ₁	h ₂	m	s	g
GN 784.1-42-MT	23	42	32.5	4.5	M5	2	6	8.5	7	2.5	-
GN 784.1-49-MT	31	49	40	4.5	M6	3	6	10.5	9	3	-
GN 784.1-60-MT	39	60	50	5.5	M8	4	10	14.6	12	4	-
GN 784.1-70-MT	49	70	60	5.5	M8	4	10	14.6	16	4	-



STANDARD MACHINE ELEMENTS WORLDWIDE