

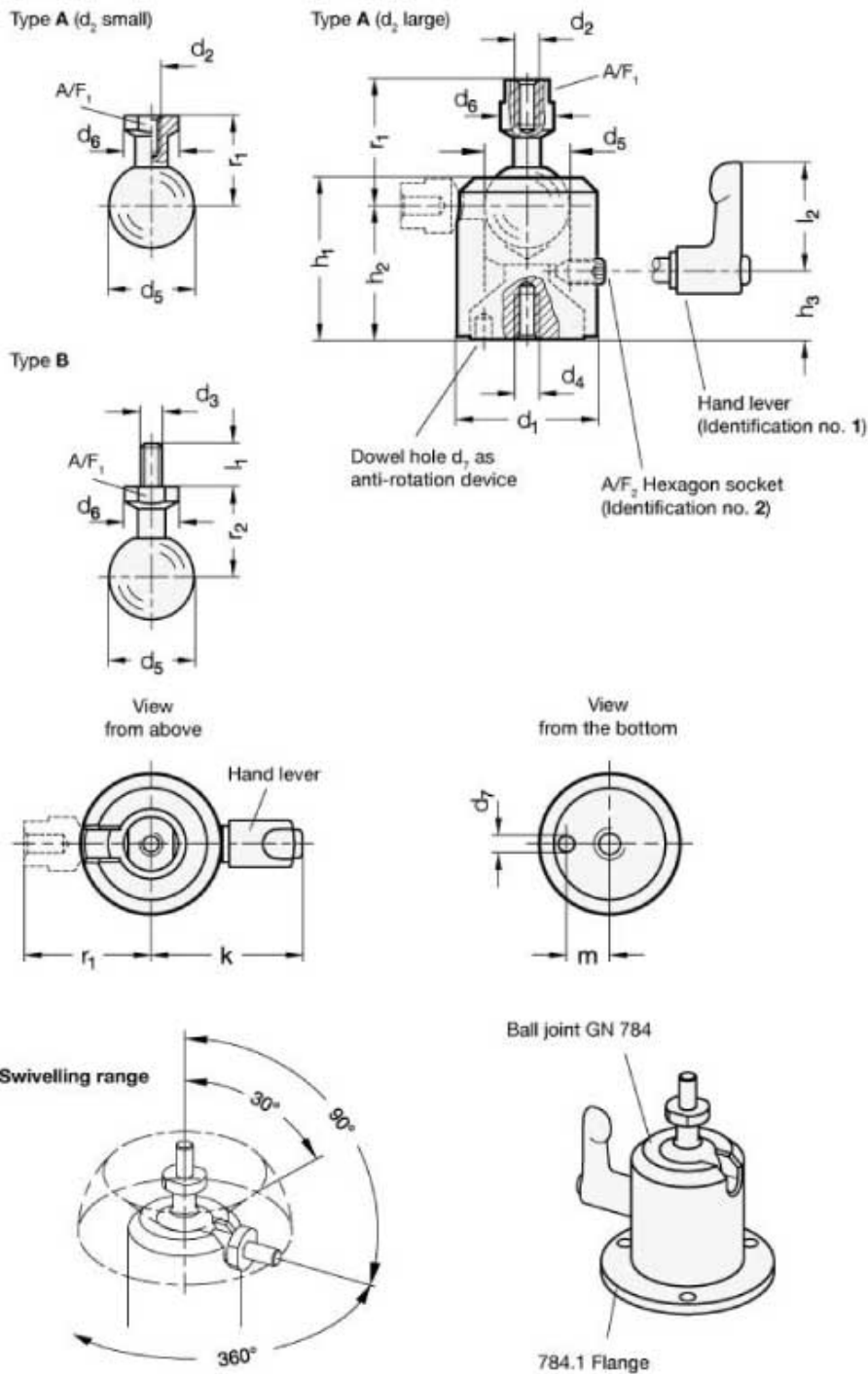
# GN 784

Mounting clamps with swivel ball joint



**INOX**  
Stainless Steel





technical informations

Specification

Types

- Type A: Ball with female thread
- Type B: Ball with male thread

Identification no.

- No. 1: Clamping with adjustable Hand Lever (only for d<sub>1</sub> = 39 and 49)
- No. 2: Clamping with set screw

Housing

Aluminium  
anodized, black ELS

Floor plate, ball

Aluminium, blank

Adjustable Hand Lever  
(Identification no. 1)  
- Zinc die casting  
plastic coated  
silver, RAL 9006, textured finish

Threaded stud and retaining screw  
Stainless Steel AISI 303

Set screw (Identification no. 2)  
Stainless Steel AISI 304

*Information*

GN 784 mounting clamps with swivel ball joint allow precise and variable adjustment of the ball pivot within the rotation range. This is a particular advantage when adjusting scanners, cameras, lighting, monitors, etc. Thanks to the efficient clamping mechanism, only small amounts of torque on the clamping screw result in comparatively strong clamping pressure on the ball. This force is easily applied by the clamping lever (Identification no.1). The ball joint can be mounted from below with the d4 internal thread or together with the GN 784.1 flange, available as an accessory, using three through-holes from above. For a permanent high stop torque, the contact surfaces of the balls must be kept free of grease. Exceeding the recommended tightening torque increases the securing of the ball joint in its end position, but may result in increased wear and potential failure of the clamping mechanism

Standard Elements	Main dimensions	recommended tightening torque	resulting stop	Weig
-------------------	-----------------	-------------------------------------	-------------------	------

Description	d <sub>1</sub>	d <sub>2*</sub>	d <sub>3</sub>	d <sub>4**</sub>	d <sub>5</sub>	d <sub>6</sub>	d <sub>7</sub>	h <sub>1</sub>	h <sub>2</sub>	h <sub>3</sub>	k	l <sub>1</sub>	l <sub>2</sub>	m	r <sub>1</sub>	r <sub>2</sub>	A/F <sub>1</sub>	A/F <sub>2</sub>	of the clamping Identification no. in Nm	torque on the ball in Nm ≈	g
GN 784-23-M4-A-2-ELS	23	M4	-	M5	14	11	2.5	26.6	21.7	10.6	-	-	-	7	17.3	17.3	9	2.5	1.5	4.5	-
GN 784-23-M5-A-2-ELS	23	M5	-	M5	14	11	2.5	26.6	21.7	10.6	-	-	-	7	24.8	17.3	9	2.5	1.5	4.5	-
GN 784-31-M5-A-2-ELS	31	M5	-	M6	18	14	3.5	35.5	29.6	14.9	-	-	-	9	21.5	21.5	12	3	2.5	6.5	-
GN 784-31-M6-A-2-ELS	31	6	-	M6	18	14	3.5	35.5	29.6	14.9	-	-	-	9	32.5	21.5	12	3	2.5	6.5	-
GN 784-39-M5-A-1-ELS	39	M5	-	M8	24	15	4.5	45	37.2	18.9	-	-	30	12	25.5	-	13	4	4	16	-
GN 784-39-M5-A-2-ELS	39	M5	-	M8	24	15	4.5	45	37.2	18.9	-	-	30	12	25.5	-	13	4	4	16	-
GN 784-39-M6-A-1-ELS	39	M6	-	M8	24	15	4.5	45	37.2	18.9	-	-	30	12	36.2	25.5	13	4	4	16	-
GN 784-39-M6-A-2-ELS	39	M6	-	M8	24	15	4.5	45	37.2	18.9	-	-	30	12	36.2	25.5	13	4	4	16	-
GN 784-39-M8-A-1-ELS	39	M8	-	M8	24	15	4.5	45	37.2	18.9	-	-	30	12	40.5	25.5	13	4	4	16	-
GN 784-39-M8-A-2-ELS	39	M8	-	M8	24	15	4.5	45	37.2	18.9	-	-	30	12	40.5	25.5	13	4	4	16	-
GN 784-49-M8-A-1-ELS	49	M8	-	M8	28	19.5	4.5	56	46.1	24	-	-	30	16	30.8	30.8	17	4	4	20	-
GN 784-49-M8-A-2-ELS	49	M8	-	M8	28	19.5	4.5	56	46.1	24	-	-	30	16	30.8	30.8	17	4	4	20	-
GN 784-49-M10-A-1-ELS	49	M10	-	M8	28	19.5	4.5	56	46.1	24	-	-	30	16	51.8	30.8	17	4	4	20	-
GN 784-49-M10-A-2-ELS	49	M10	-	M8	28	19.5	4.5	56	46.1	24	-	-	30	16	51.8	30.8	17	4	4	20	-
GN 784-23-M5-B-2-ELS	23	-	M5	M5	14	11	2.5	-	-	10.6	-	8	-	7	-	17.3	9	2.5	1.5	4.5	-
GN 784-23-M6-B-2-ELS	23	-	M6	M5	14	11	2.5	-	-	10.6	-	10	-	7	-	17.3	9	2.5	1.5	4.5	-
GN 784-31-M6-B-2-ELS	31	-	M6	M6	18	14	3.5	-	-	14.9	-	10	-	9	-	21.5	12	3	2.5	6.5	-
GN 784-31-M8-B-2-ELS	31	-	M8	M6	18	14	3.5	-	-	14.9	-	12	-	9	-	21.5	12	3	2.5	6.5	-
GN 784-39-M6-B-1-ELS	39	-	M6	M8	24	15	4.5	-	-	18.9	44	10	30	12	-	25.5	13	4	4	16	-
GN 784-39-M6-B-2-ELS	39	-	M6	M8	24	15	4.5	-	-	18.9	44	10	30	12	-	25.5	13	4	4	16	-
GN 784-39-M8-B-1-ELS	39	-	M8	M8	24	15	4.5	-	-	18.9	44	12	30	12	-	25.5	13	4	4	16	-
GN 784-39-M8-B-2-ELS	39	-	M8	M8	24	15	4.5	-	-	18.9	44	12	30	12	-	25.5	13	4	4	16	-
GN 784-49-M8-B-1-ELS	49	-	M8	M8	28	19.5	4.5	-	-	24	49	12	30	16	-	30.8	17	4	4	20	-
GN 784-49-M8-B-2-ELS	49	-	M8	M8	28	19.5	4.5	-	-	24	49	12	30	16	-	30.8	17	4	4	20	-
GN 784-49-M10-B-1-ELS	49	-	M10	M8	28	19.5	4.5	-	-	24	49	15	30	16	-	30.8	17	4	4	20	-
GN 784-49-M10-B-2-ELS	49	-	M10	M8	28	19.5	4.5	-	-	24	49	15	30	16	-	30.8	17	4	4	20	-