



ProSet® PB2500

Battery Tool for Blind Rivets



High speed cordless power tool with great strength and endurance

EASY

Tool free, quick release nose housing and jaw guide removal

LIGHT

Weight only 1.72 kg, including 2.0 Ah battery

STRONG

8.5 kN Pulling Force, 25 mm Stroke

TIME SAVING

Ensures continuous operation in production environments without 'tool overload'

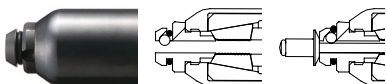


JAPANESE INSTITUTE OF DESIGN PROMOTION



Rivet holding mechanism

Rivets do not drop out – even when tool is set upside down



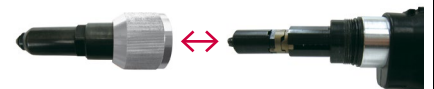
Integral mandrel collector

Large capacity collector stores up to **600** spent mandrels



Easy nose housing removal

Tool free, quick release nose housing and jaw guide removal and installation



Lightweight tool with excellent ergonomics, great strength and great added features. Ensures high productivity and improve your return on investment with very low installation cost.

- **Durable** brushless motor that requires minimal maintenance
- **Long lasting** battery capable of placing an average of 1,200 \varnothing 4.8 mm standard blind rivets per charge
- **Time saving** continuous operation in production environments without "tool overload"
- **Easy to use:** Quick release nose housing and jaw guide; Rivet holding mechanism; Quick slide battery installation; Push button for easy removal of the battery from the tool
- **Warranty Europe:** 2 years in total (1 year & 1 year extension if the tool is registered online at: www.stanleyengineeredfastening.com/popavdel-powertools/warranty-card)

Placing Capacity

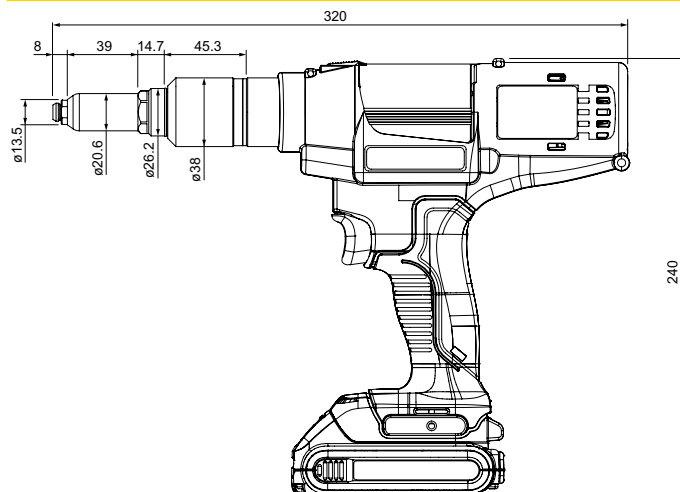
Rivet Type	Placing Capacity (mm)					
	2.0 (3/32")	2.4 (3/32")	3.0	3.2 (1/8")	4.0 (5/32")	4.8 (3/16")
Open End	● [†]	● ^{**}		●	●	●
Closed End				● [*]	● [*]	● [*]
Avex®/Stavex®			●	●	●	●
Avinox®/Avibulb®				●	●	● [*]
HR/HT				●	●	● [*]
Interlock®						● [*]
Klamp-Tite®						●
LSR/Bulbex®				●	●	●
Monobolt®						● [†]
Multi-grip				●	●	●
Pull-Thru (PT)			● [†]	● [†]		
Q Rivet				●	●	●
T-Lok®						●
T Rivet						● [†]
Avseal®					● [†]	

* Non-Standard nosepiece required

** Non-Standard nosepiece and jaws required

† Contact STANLEY Engineered Fastening, Applications Engineering for assistance

Dimensions



2.0Ah and 4.0Ah batteries available. All batteries with charge indicator.



Specifications

- Dimensions:** LxH 320 mm x 240 mm
- Battery¹⁾:** DEWALT 18V Li-Ion 2.0Ah, delivered with the tool, (4.0Ah as separate accessory)
- Charger:** DEWALT DCB115, with progress lamp display, 30 minute charge time (2.0Ah)
- Piston stroke:** 25 mm
- Pulling force:** 8,500 N
- Noise level:** 74 dB(A)
- Capacity¹⁾:** Standard rivets \varnothing 2.4 - 4.8 mm
- Weight:** 1.72 kg including 2.0Ah battery

Package Contents¹⁾

- 1 x PB2500 tool with nosepiece size \varnothing 4.8 mm
- 1 x Battery 18V Lithium-Ion 2.0Ah
- 1 x Charger
- 1 x Bag with nosepiece and jaw pusher \varnothing 3.2 mm
- 1 x Bag with nosepiece and jaw pusher \varnothing 4.0 mm
- 1 x Instruction Manual

1) For detailed tool information, different battery configurations, accessories, service and instruction manuals contact your local representative.