



CTD

Torque limiting wing knobs

Technopolymer



Main specifications

Material

Glass-fibre reinforced polyamide based (PA) technopolymer, black (C9) or orange (C2) colour, matte finish.

Torque limiting mechanism

Nickel-plated steel.

Standard executions

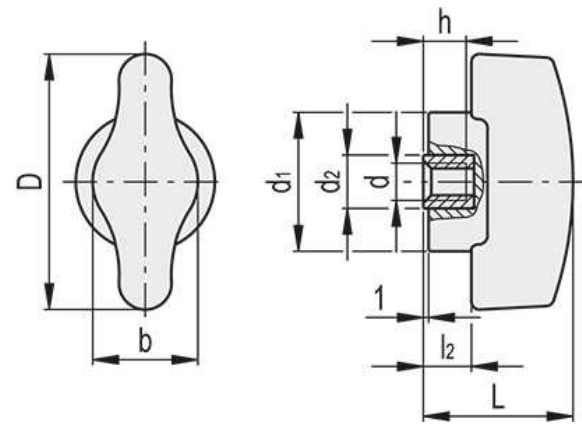
- **CTD-B-2**: nickel-plated steel boss with threaded blind hole, maximum torque 2Nm.
- **CTD-B-3**: nickel-plated steel boss with threaded blind hole, maximum torque 3Nm.
- **CTD-p-2**: nickel-plated steel threaded screw, maximum torque 2Nm.
- **CTD-p-3**: nickel-plated steel threaded screw, maximum torque 3Nm.

General information

Features and applications

CTD wing knobs are used when the applied tightening torque must not exceed a preset value.

The torque transmission from the wing knob to the clamping element takes place by means of a spring-based mechanical system which prevents the overcoming of the established torque. Upon exceeding the established torque, a "click" sound will be heard to indicate that the maximum tightening has been reached. By turning the knob anticlockwise the mechanism unlocks.

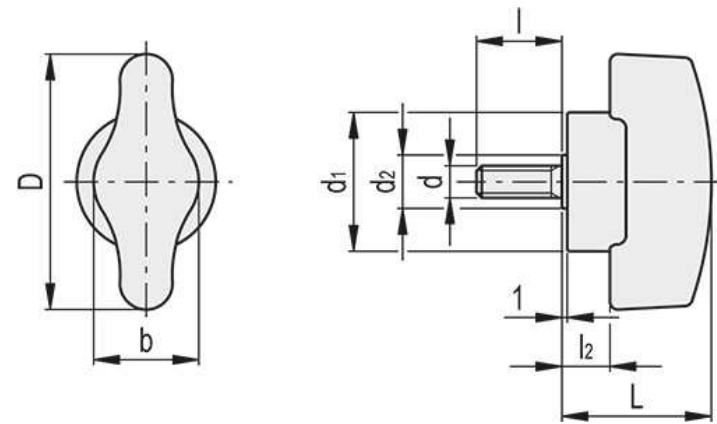


Black (RAL 9005) C9

Orange (RAL 2004) C2

CTD-B

Code	Description	D	d	L	d ₁	d ₂	l ₂	b	h	C# [Nm]	Weight
221901-C9	CTD.48 B-M5-2-C9	48	M5	28	26	10	9	20	8	2	35
221901-C2	CTD.48 B-M5-2-C2	48	M5	28	26	10	9	20	8	2	35
221902-C9	CTD.48 B-M5-3-C9	48	M5	28	26	10	9	20	8	3	36
221902-C2	CTD.48 B-M5-3-C2	48	M5	28	26	10	9	20	8	3	36
221905-C9	CTD.48 B-M6-2-C9	48	M6	28	26	10	9	20	8	2	34
221905-C2	CTD.48 B-M6-2-C2	48	M6	28	26	10	9	20	8	2	34
221906-C9	CTD.48 B-M6-3-C9	48	M6	28	26	10	9	20	8	3	35
221906-C2	CTD.48 B-M6-3-C2	48	M6	28	26	10	9	20	8	3	35



Black (RAL 9005) C9

Orange (RAL 2004) C2

CTD-p

Code	Description	D	d	L	d ₁	d ₂	L	l ₂	b	C# [Nm]	Weight
221951-C9	CTD.48 p-M5x10-2-C9	48	M5	28	26	10	10	9	20	2	37
221951-C2	CTD.48 p-M5x10-2-C2	48	M5	28	26	10	10	9	20	2	37
221952-C9	CTD.48 p-M5x10-3-C9	48	M5	28	26	10	10	9	20	3	38
221952-C2	CTD.48 p-M5x10-3-C2	48	M5	28	26	10	10	9	20	3	38
221955-C9	CTD.48 p-M5x16-2-C9	48	M5	28	26	10	16	9	20	2	38
221955-C2	CTD.48 p-M5x16-2-C2	48	M5	28	26	10	16	9	20	2	38
221956-C9	CTD.48 p-M5x16-3-C9	48	M5	28	26	10	16	9	20	3	39
221956-C2	CTD.48 p-M5x16-3-C2	48	M5	28	26	10	16	9	20	3	39
221961-C9	CTD.48 p-M6x16-2-C9	48	M6	28	26	10	16	9	20	2	39
221961-C2	CTD.48 p-M6x16-2-C2	48	M6	28	26	10	16	9	20	2	39
221962-C9	CTD.48 p-M6x16-3-C9	48	M6	28	26	10	16	9	20	3	40
221962-C2	CTD.48 p-M6x16-3-C2	48	M6	28	26	10	16	9	20	3	40
221965-C9	CTD.48 p-M6x25-2-C9	48	M6	28	26	10	25	9	20	2	41
221965-C2	CTD.48 p-M6x25-2-C2	48	M6	28	26	10	25	9	20	2	41
221966-C9	CTD.48 p-M6x25-3-C9	48	M6	28	26	10	25	9	20	3	42
221966-C2	CTD.48 p-M6x25-3-C2	48	M6	28	26	10	25	9	20	3	42

C# Maximum torque (±15%)