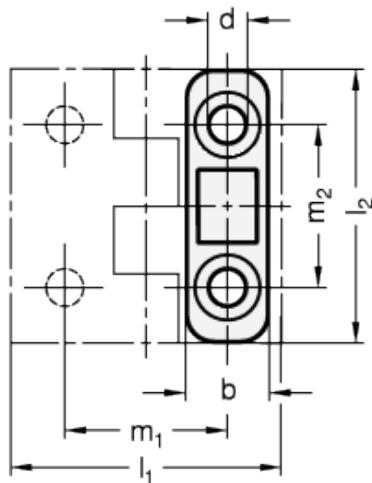
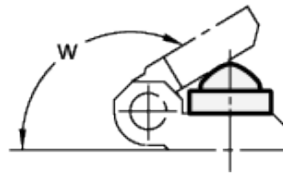
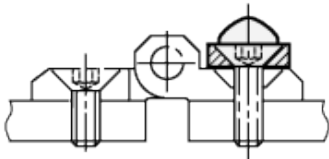
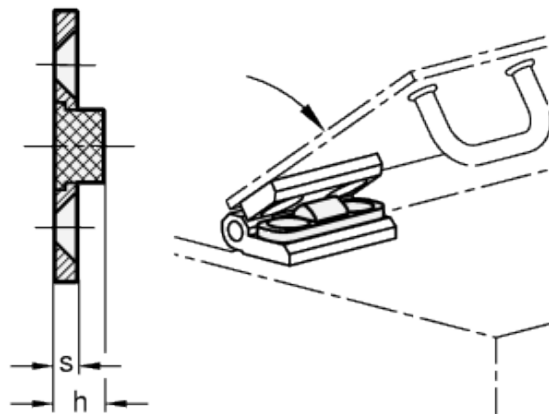


GN 2374

Limit stops



Application example



technical informations

Specification

- Steel precision casting ST
- zinc plated, plastic coated
- black, RAL 9005, textured finish SW
- Elastomer element
 - Perbunan ® (NBR)
 - temperature resistant up to 120 °C
 - Hardness 85±5 Shore A

Information

In terms of their dimensions, limit stops GN 2374 have been designed as extras for the GN 237 and GN 337 family of hinges. They can also be bolt-attached when mounting the hinge, with an elastomer element limiting the angle of rotation to the value w .

They are mainly used for lighter traps and gates, or when the limit stop is not expected to be exposed to dynamic loads.

Standard Elements	Main dimensions									Weight
Description	l_2	$w \approx$	b	d	h	l_1	m_1	m_2	s	g
GN 2374-ST-40-150-SW	40	150	12	5.3	7.8	40	25	25	3.5	-
GN 2374-ST-50-150-SW	50	150	15	6.3	9.2	50	30	30	4	-
GN 2374-ST-60-150-SW	60	150	18	8.3	10.9	60	36	36	5	-



STANDARD MACHINE ELEMENTS WORLDWIDE