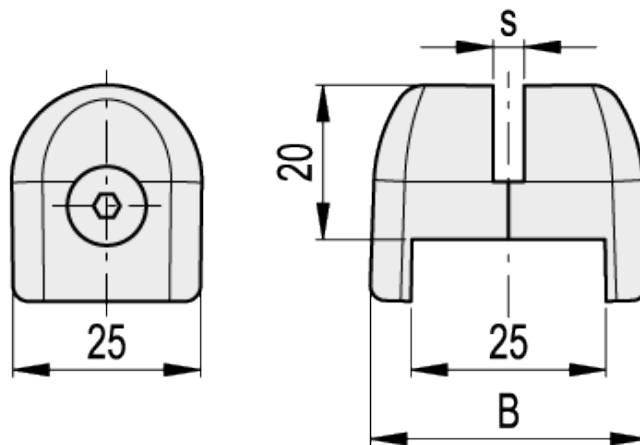


PPR

Support clamp for panels and electro-welded mesh



ELESA Original design



technical informations

Material

Glass-fibre reinforced polyamide (PA) SUPER-technopolymer, matte finish, RAL 9005 (C9) black colour or RAL 7040 (C33) grey colour.

Vibration-damping elements

Made out of NBR rubber, hardness 90 Shore A, supplied assembled.

Screw and nut

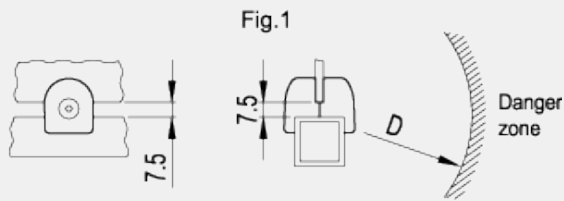
AISI 304 stainless steel M5 thread.

Standard executions

- PPR: for the mounting of panels, without vibration-damping elements.
- PPR-A: for the mounting of panels, with vibration-damping elements.
- PPR-R: for the mounting of electro-welded mesh type TEC® (max thread diameter 3 mm), without vibration-damping elements.

Features and applications

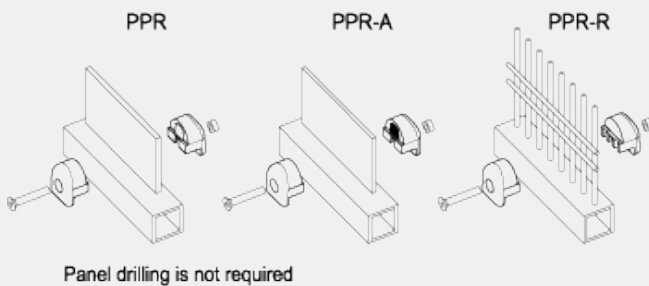
- Assembly on square-section profiles of 25 mm
- Panel drilling is not required for mounting.
- Rubber vibration-damping elements to ensure perfect locking of the panel even if not perfectly in tolerance or in the presence of strong vibrations.
- The distance of 7.5mm of the panel with respect to the profile avoids areas of dirt accumulation.
- Safety in compliance with ISO 13857, paragraph 4.2.4.
- The safety distance (D) is the minimum required distance between the protection structure and the element of the potentially dangerous machine (Fig.1).



Safety in compliance with ISO 13857

Assembly of the clamp on the profile

Tighten the clamp against the profile and the panel or the electro-welded mesh using the screw and the nut included in the package.



C9 **C33**
RAL9005 RAL7040

| Standard Elements | | | | Main dimensions | | C# | Weight |
|-------------------|-------------|-----------|-------------|-----------------|---------|------|--------|
| Code | Description | Code | Description | B | s | [Nm] | g |
| 49354-C9 | PPR-4-C9 | 49354-C33 | PPR-4-C33 | 36 | 4 | 2.5 | 23 |
| 49355-C9 | PPR-5-C9 | 49355-C33 | PPR-5-C33 | 37 | 5 | 2.5 | 24 |
| 49356-C9 | PPR-6-C9 | 49356-C33 | PPR-6-C33 | 38 | 6 | 2.5 | 25 |
| 49363-C9 | PPR-A-3-C9 | 49363-C33 | PPR-A-3-C33 | 36 | 2.5÷3.4 | 2.5 | 23 |
| 49364-C9 | PPR-A-4-C9 | 49364-C33 | PPR-A-4-C33 | 37 | 3.5÷4.4 | 2.5 | 24 |
| 49365-C9 | PPR-A-5-C9 | 49365-C33 | PPR-A-5-C33 | 38 | 4.5÷5.4 | 2.5 | 25 |
| 49375-C9 | PPR-R-5-C9 | 49375-C33 | PPR-R-5-C33 | 37 | 5 | 2.5 | 25 |
| 49376-C9 | PPR-R-6-C9 | 49376-C33 | PPR-R-6-C33 | 38 | 6 | 2.5 | 26 |

Maximum tightening torque for the screw.



ELESA and GANTER models all rights reserved in accordance with the law. Always mention the source when reproducing our drawings.

STANDARD MACHINE ELEMENTS WORLDWIDE