

Tappex®



TAPPEX THREAD INSERTS LIMITED

Masons Road
Stratford-upon-Avon
Warwickshire
CV37 9NT

Telephone: +44(0) 1789 206 600

Fax: +44(0) 1789 414 194

Email: sales@tappex.co.uk

ETP 62

(EXTERNAL TECHNICAL PAPER NUMBER 62)

Tappex ElecArm®

In-line with our philosophy of continuous product development, Tappex has introduced the Tappex ElecArm range.

The Tappex ElecArm installation machine consists of a bench mounted balance arm with an electric screwdriver attached, which is powered by a bench-top 32V or 40V power supply / controller.

Key features of the Tappex ElecArm are as follows: -

- Allows Trisert, Trisert-3, Foamsert, Foamsert-3 and Ensart installation at different heights and positions with the same set up.
- ¼" output spindle to suit Tappex Production Drivers. (Please see technical paper ETP 12 for details.)
- The rigid arm eliminates torque reaction to the operator.
- Facilitates the square and consistent installation of the Tappex self-tapping inserts.
- Adjustable clutch to control installation torque, with a scale for accurate repeatability.
- Reduced sound level compared to similar pneumatic systems.

Both the 32V and 40V controllers have a High and a Low speed setting and have the automatic reverse function. Controller part numbers are as follows: -

035/E/32V - Brushless 32V power supply / Controller.

035/E/40V - Brushless 40V power supply / Controller.

It should be noted that if you are using a 40V power supply with a 32V screwdriver that an adaptor lead is required. The part number for the adaptor lead is 035/E/40TO32V.

Electric screwdrivers are available as follows: -

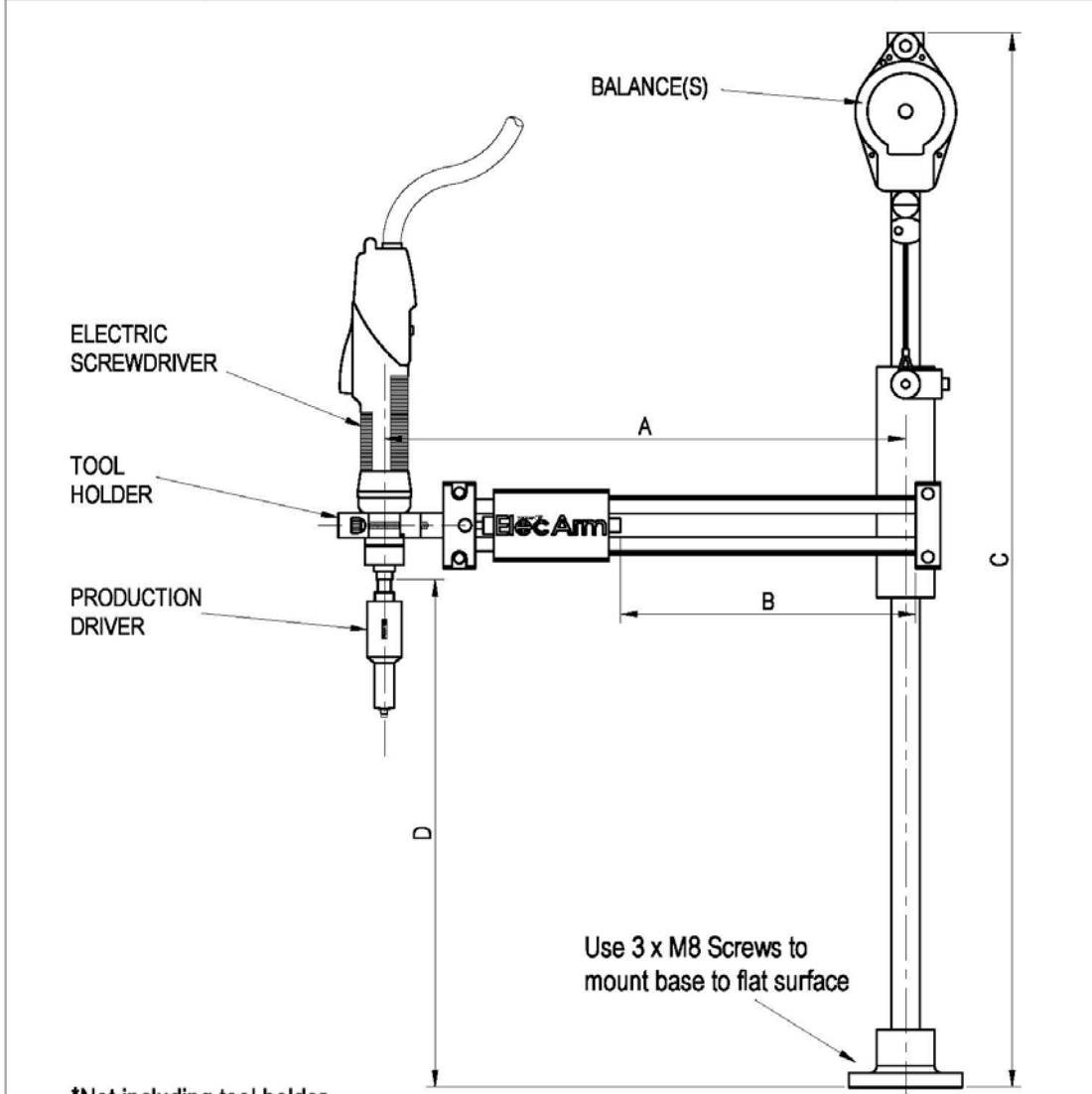
035/E/A0.3	-	32V. Torque range 0.29-1.86Nm
035/E/A1.0	-	32V. Torque range 0.98-2.94Nm
035/E/A2.0	-	40V. Torque range 2.0-6.0Nm
035/E/A4.0	-	40V. Torque range 4.0-12.0Nm
035/E/A8.0	-	40V. Torque range 8.0-25.0Nm

Depending on the installation torque and the reach required, there are 3 sizes of arms available as follows: -

035/E/T-5	-	Single balance arm, including holder. Suitable for up to 5Nm installation torque.
035/E/T-12	-	Double balance arm, including holder. Suitable for up to 12Nm installation torque.
035/E/T-25	-	Large balance arm, including holder. Suitable for up to 25Nm installation torque.

The diagram on the following page shows specification details of each arm.

Please contact our technical sales engineers if you have any further questions or for advice on specifying the correct ElecArm for your requirements.



*Not including tool holder

Arm Size	Max Torque (Nm)	Min Width*	A* (Extended)	B (Extended)	C (Height)	D	Base Holes PCD Ø
Single Balance	5	158	570	205	732	300	65.0
Double Balance	12	198	690	255	888	450	65.0
Large Double Balance	25	167	750	290	1100	650	80.0

All Dimensions In mm. Do Not Scale.

N.T.S.

THE COPYRIGHT IN THIS DRAWING, ALONG WITH ANY TECHNICAL INFORMATION AND/OR DATA ACCOMPANYING IT, IS THE PROPERTY OF TAPPEX THREAD INSERTS LIMITED. THE DRAWING, AND ANY ASSOCIATED TECHNICAL INFORMATION AND/OR DATA, IS SUPPLIED IN CONFIDENCE AND MUST NOT BE USED FOR ANY PURPOSE OTHER THAN THAT FOR WHICH IT IS SUPPLIED AND MUST NOT BE COPIED OR DISCLOSED TO ANY OTHER PARTY WHETHER IN WHOLE OR IN PART WITHOUT THE PRIOR WRITTEN PERMISSION OF TAPPEX THREAD INSERTS LIMITED.

TAPPEX PRODUCTS ARE COVERED BY U.K. AND OVERSEAS PATENTS AND/OR DESIGN REGISTRATIONS AND/OR DESIGN RIGHT. TAPPEX AND OTHER PRODUCT NAMES ARE REGISTERED TRADE MARKS.

TAPPEX THREAD INSERTS LIMITED
 Masons Road, Stratford-upon-Avon
 CV37 9NT
www.tappex.co.uk

Tel. (01789) 206 600 Fax. (01789) 414 194