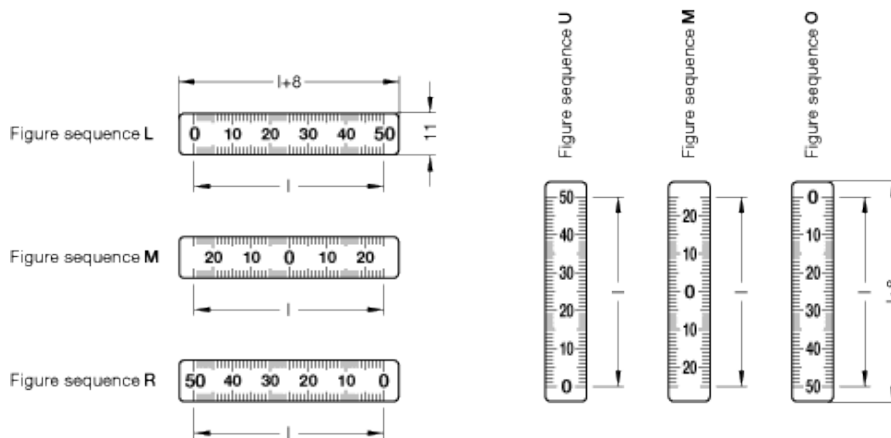


# GN 711

Rulers



## technical informations

### Material

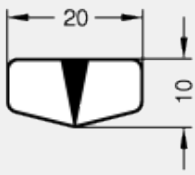
- Stainless steel NI, 0.6 thickness, scale etched.
- Plastic KUS, highlighted in silver, 0.3 thickness, scale printed.
- Plastic KUT, transparent, 0.3 thickness, scale printed.

### Standard versions available

- Version W: figures horizontally arranged.
- Version S: figures vertically arranged.

### Features and applications

To stick the ruler GN 711 remove the protective strip at the back.  
The engraved side of the Stainless Steel-Rulers is also protected by a strip.  
For all rulers a special arrow GN 711.1 is available. They are also available in the materials NI, KUS and KUT.  
This arrow has to be ordered separately.



Standard Elements	Main dimensions	Weight
Description	l	g
GN 711-NI-50-W-L	50	3
GN 711-NI-100-W-L	100	5
GN 711-NI-150-W-L	150	7
GN 711-NI-200-W-L	200	9
GN 711-NI-300-W-L	300	14
GN 711-NI-400-W-L	400	15
GN 711-NI-500-W-L	500	15
GN 711-NI-750-W-L *	750	15
GN 711-NI-1000-W-L *	1000	15
GN 711-NI-50-W-M	50	3
GN 711-NI-100-W-M	100	5
GN 711-NI-150-W-M	150	7
GN 711-NI-200-W-M	200	9
GN 711-NI-300-W-M	300	14
GN 711-NI-400-W-M	400	15
GN 711-NI-500-W-M	500	15
GN 711-NI-750-W-M *	750	15
GN 711-NI-1000-W-M*	1000	15
GN 711-NI-50-W-R	50	3
GN 711-NI-100-W-R	100	5
GN 711-NI-150-W-R	150	7
GN 711-NI-200-W-R	200	9
GN 711-NI-300-W-R	300	14
GN 711-NI-400-W-R	400	15
GN 711-NI-500-W-R	500	15
GN 711-NI-750-W-R *	750	15
GN 711-NI-1000-W-R*	1000	15
GN 711-NI-50-S-U	50	3
GN 711-NI-100-S-U	100	5
GN 711-NI-150-S-U	150	7
GN 711-NI-200-S-U	200	9
GN 711-NI-300-S-U	300	14
GN 711-NI-400-S-U	400	15
GN 711-NI-500-S-U	500	15
GN 711-NI-750-S-U *	750	15
GN 711-NI-1000-S-U *	1000	15
GN 711-NI-50-S-M	50	3

GN 711-NI-100-S-M	100	5
GN 711-NI-150-S-M	150	7
GN 711-NI-200-S-M	200	9
GN 711-NI-300-S-M	300	14
GN 711-NI-400-S-M	400	15
GN 711-NI-500-S-M	500	15
GN 711-NI-750-S-M *	750	15
GN 711-NI-1000-S-M *	1000	15
GN 711-NI-50-S-O	50	3
GN 711-NI-100-S-O	100	5
GN 711-NI-150-S-O	150	7
GN 711-NI-200-S-O	200	9
GN 711-NI-300-S-O	300	14
GN 711-NI-400-S-O	400	15
GN 711-NI-500-S-O	500	15
GN 711-NI-750-S-O *	750	15
GN 711-NI-1000-S-O	1000	15
GN 711-KUS-50-W-L	50	2
GN 711-KUS-100-W-L	100	2
GN 711-KUS-150-W-L	150	2
GN 711-KUS-200-W-L	200	2
GN 711-KUS-300-W-L	300	2
GN 711-KUS-400-W-L	400	10
GN 711-KUS-500-W-L	500	10
GN 711-KUS-750-W-L	750	10
GN 711-KUS-1000-W-L	1000	10
GN 711-KUS-50-W-M	50	2
GN 711-KUS-100-W-M	100	2
GN 711-KUS-150-W-M	150	2
GN 711-KUS-200-W-M	200	2
GN 711-KUS-300-W-M	300	2
GN 711-KUS-400-W-M	400	10
GN 711-KUS-500-W-M	500	12
GN 711-KUS-750-W-M	750	15
GN 711-KUS-1000-W-M	1000	15
GN 711-KUS-50-W-R	50	2
GN 711-KUS-100-W-R	100	2
GN 711-KUS-150-W-R	150	2
GN 711-KUS-200-W-R	200	2
GN 711-KUS-300-W-R	300	2
GN 711-KUS-400-W-R	400	10
GN 711-KUS-500-W-R	500	12
GN 711-KUS-750-W-R	750	15
GN 711-KUS-1000-W-R	1000	15

GN 711-KUS-50-S-U	50	2
GN 711-KUS-100-S-U	100	2
GN 711-KUS-150-S-U	150	2
GN 711-KUS-200-S-U	200	2
GN 711-KUS-300-S-U	300	2
GN 711-KUS-400-S-U	400	10
GN 711-KUS-500-S-U	500	12
GN 711-KUS-750-S-U	750	15
GN 711-KUS-1000-S-U	1000	15
GN 711-KUS-50-S-M	50	2
GN 711-KUS-100-S-M	100	2
GN 711-KUS-150-S-M	150	2
GN 711-KUS-200-S-M	200	2
GN 711-KUS-300-S-M	300	2
GN 711-KUS-400-S-M	400	10
GN 711-KUS-500-S-M	500	12
GN 711-KUS-750-S-M	750	15
GN 711-KUS-1000-S-M	1000	15
GN 711-KUS-50-S-O	50	2
GN 711-KUS-100-S-O	100	2
GN 711-KUS-150-S-O	150	2
GN 711-KUS-200-S-O	200	2
GN 711-KUS-300-S-O	300	10
GN 711-KUS-400-S-O	400	12
GN 711-KUS-500-S-O	500	15
GN 711-KUS-750-S-O	750	15
GN 711-KUS-1000-S-O *	1000	15
GN 711-KUT-50-W-L	50	2
GN 711-KUT-100-W-L	100	2
GN 711-KUT-150-W-L	150	2
GN 711-KUT-200-W-L	200	2
GN 711-KUT-300-W-L	300	10
GN 711-KUT-400-W-L	400	12
GN 711-KUT-500-W-L	500	15
GN 711-KUT-750-W-L	750	15
GN 711-KUT-1000-W-L	1000	15
GN 711-KUT-50-W-M	50	2
GN 711-KUT-100-W-M	100	1
GN 711-KUT-150-W-M	150	2
GN 711-KUT-200-W-M	200	2
GN 711-KUT-300-W-M	300	2
GN 711-KUT-400-W-M	400	10
GN 711-KUT-500-W-M	500	12
GN 711-KUT-750-W-M	750	15
GN 711-KUT-1000-W-M	1000	15

GN 711-KUT-50-W-R	50	2
GN 711-KUT-100-W-R	100	2
GN 711-KUT-150-W-R	150	2
GN 711-KUT-200-W-R	200	2
GN 711-KUT-300-W-R	300	2
GN 711-KUT-400-W-R	400	10
GN 711-KUT-500-W-R	500	12
GN 711-KUT-750-W-R	750	15
GN 711-KUT-1000-W-R	1000	15
GN 711-KUT-50-S-U	50	2
GN 711-KUT-100-S-U	100	2
GN 711-KUT-150-S-U	150	2
GN 711-KUT-200-S-U	200	1
GN 711-KUT-300-S-U	300	2
GN 711-KUT-400-S-U	400	10
GN 711-KUT-500-S-U	500	12
GN 711-KUT-750-S-U	750	15
GN 711-KUT-1000-S-U	1000	15
GN 711-KUT-50-S-M	50	2
GN 711-KUT-100-S-M	100	1
GN 711-KUT-150-S-M	150	2
GN 711-KUT-200-S-M	200	2
GN 711-KUT-300-S-M	300	2
GN 711-KUT-400-S-M	400	10
GN 711-KUT-500-S-M	500	12
GN 711-KUT-750-S-M	750	15
GN 711-KUT-1000-S-M	1000	15
GN 711-KUT-50-S-O	50	2
GN 711-KUT-100-S-O	100	2
GN 711-KUT-150-S-O	150	2
GN 711-KUT-200-S-O	200	2
GN 711-KUT-300-S-O	300	2
GN 711-KUT-400-S-O	400	10
GN 711-KUT-500-S-O	500	12
GN 711-KUT-750-S-O	750	15
GN 711-KUT-1000-S-O	1000	15

\* This lengths consists of 2 parts.



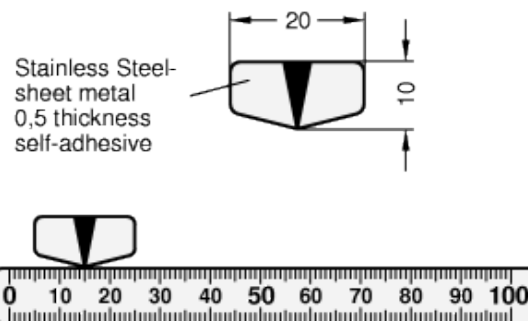
STANDARD MACHINE ELEMENTS WORLDWIDE

# GN 711.1

Indicator arrows for rules



Indicator arrow GN 711.1



## technical informations

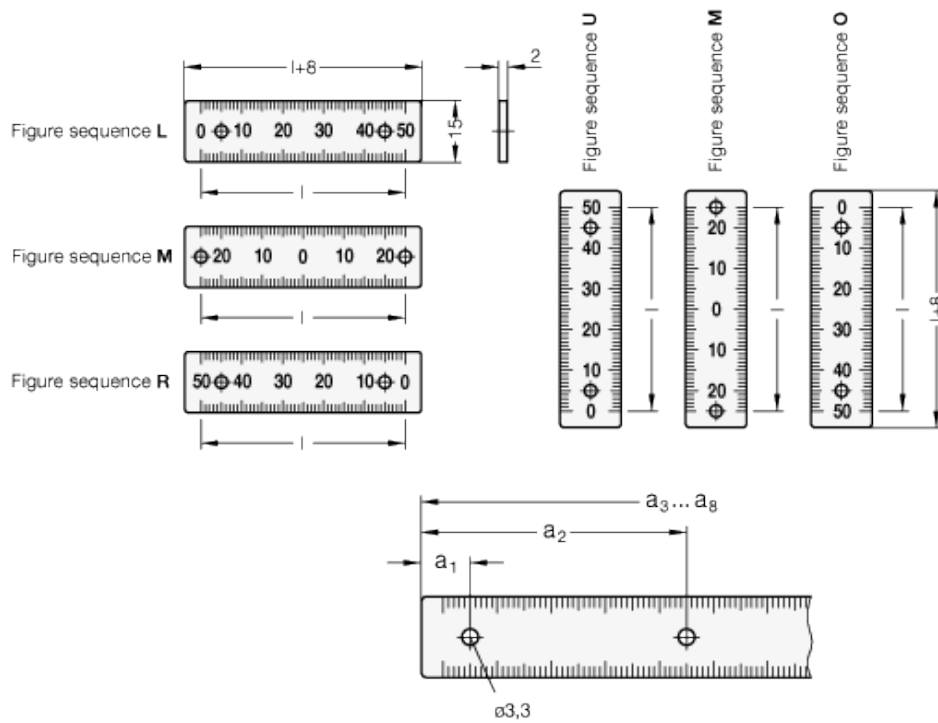
### Material

- Stainless steel NI, 0.6 thickness, scale etched.
- Plastic KUS, highlighted in silver, 0.3 thickness, scale printed.
- Plastic KUT, transparent, 0.3 thickness, scale printed.

Standard Elements	Weight
Description	g
GN 711.1-NI	1
GN 711.1-KUS	1
GN 711.1-KUT	1

# GN 711.2

Rulers



## technical informations

### Material

Aluminium, natural colour, anodized.  
Black imprint with numbers and scale etched (i.e., aluminium coloured)

### Imprint

Resistant to weak acids and lye Solutions, and against solvents in the Event of Brief contact.

Standard versions available

- Version W: figures horizontally arranged (Figure sequences L,M,R).
- Version S: figures vertically arranged (Figure sequences U,M,O)

**Identification no.**

1 with mounting holes  $\varnothing$  3.3.

**On request**

- self adhesive version

Standard Elements	Main dimensions										Weight
Description	l	Number bores	a <sub>1 ±0.1</sub>	a <sub>2 ±0.1</sub>	a <sub>3 ±0.1</sub>	a <sub>4 ±0.1</sub>	a <sub>5 ±0.1</sub>	a <sub>6 ±0.1</sub>	a <sub>7 ±0.1</sub>	a <sub>8 ±0.1</sub>	g
GN 711.2-AL-50-W-L-1	50	2	9	49	-	-	-	-	-	-	4
GN 711.2-AL-100-W-L-1	100	2	9	99	-	-	-	-	-	-	8
GN 711.2-AL-150-W-L-1	150	2	9	149	-	-	-	-	-	-	12
GN 711.2-AL-200-W-L-1	200	3	9	99	199	-	-	-	-	-	15
GN 711.2-AL-300-W-L-1	300	3	9	149	299	-	-	-	-	-	24
GN 711.2-AL-400-W-L-1	400	4	9	139	269	399	-	-	-	-	32
GN 711.2-AL-500-W-L-1	500	4	9	169	339	499	-	-	-	-	40
GN 711.2-AL-750*-W-L-1	750*	8	9	129	249	369	389	509	629	749	60
GN 711.2-AL-1000*-W-L-1	1000*	8	9	169	329	499	519	679	839	999	79
GN 711.2-AL-50-W-M-1	50	2	4	54	-	-	-	-	-	-	4
GN 711.2-AL-100-W-M-1	100	2	9	99	-	-	-	-	-	-	8
GN 711.2-AL-150-W-M-1	150	2	4	154	-	-	-	-	-	-	12
GN 711.2-AL-200-W-M-1	200	3	9	99	199	-	-	-	-	-	15
GN 711.2-AL-300-W-M-1	300	3	9	149	299	-	-	-	-	-	24
GN 711.2-AL-400-W-M-1	400	4	9	139	269	399	-	-	-	-	32
GN 711.2-AL-500-W-M-1	500	4	9	169	339	499	-	-	-	-	40
GN 711.2-AL-750*-W-M-1	750*	8	4	124	254	374	394	504	634	754	60
GN 711.2-AL-1000*-W-M-1	1000*	8	9	169	339	499	519	679	839	999	79
GN 711.2-AL-50-W-R-1	50	2	9	49	-	-	-	-	-	-	4
GN 711.2-AL-100-W-R-1	100	2	9	99	-	-	-	-	-	-	8
GN 711.2-AL-150-W-R-1	150	2	9	149	-	-	-	-	-	-	12
GN 711.2-AL-200-W-R-1	200	3	9	99	199	-	-	-	-	-	15
GN 711.2-AL-300-W-R-1	300	3	9	149	299	-	-	-	-	-	24
GN 711.2-AL-400-W-R-1	400	4	9	139	269	399	-	-	-	-	32
GN 711.2-AL-500-W-R-1	500	4	9	169	339	499	-	-	-	-	40
GN 711.2-AL-750*-W-R-1	750*	8	9	129	249	369	389	509	629	749	60
GN 711.2-AL-1000*-W-R-1	1000*	8	9	169	329	499	519	679	839	999	79
GN 711.2-AL-S-50-U-1	50	2	9	49	-	-	-	-	-	-	4
GN 711.2-AL-S-100-U-1	100	2	9	99	-	-	-	-	-	-	8
GN 711.2-AL-S-150-U-1	150	2	9	149	-	-	-	-	-	-	12
GN 711.2-AL-S-200-U-1	200	3	9	99	199	-	-	-	-	-	15
GN 711.2-AL-S-300-U-1	300	3	9	149	299	-	-	-	-	-	24
GN 711.2-AL-S-400-U-1	400	4	9	139	269	399	-	-	-	-	32



GN 711.2-AL-S-500-U-1	500	4	9	169	339	499	-	-	-	-	40
GN 711.2-AL-S-750*-U-1	750*	8	9	129	249	369	389	509	629	749	60
GN 711.2-AL-S-1000*-U-1	1000*	8	9	169	329	499	519	679	839	999	79
GN 711.2-AL-S-50-M-1	50	2	4	54	-	-	-	-	-	-	4
GN 711.2-AL-S-100-M-1	100	2	9	99	-	-	-	-	-	-	8
GN 711.2-AL-S-150-M-1	150	2	4	154	-	-	-	-	-	-	12
GN 711.2-AL-S-200-M-1	200	3	9	99	199	-	-	-	-	-	15
GN 711.2-AL-S-300-M-1	300	3	9	149	299	-	-	-	-	-	24
GN 711.2-AL-S-400-M-1	400	4	9	139	269	399	-	-	-	-	32
GN 711.2-AL-S-500-M-1	500	4	9	169	339	499	-	-	-	-	40
GN 711.2-AL-S-750*-M-1	750*	8	4	124	254	374	394	504	634	754	60
GN 711.2-AL-S-1000*-M-1	1000*	8	9	169	339	499	519	679	839	999	79
GN 711.2-AL-S-50-O-1	50	2	9	49	-	-	-	-	-	-	4
GN 711.2-AL-S-100-O-1	100	2	9	99	-	-	-	-	-	-	8
GN 711.2-AL-S-150-O-1	150	2	9	149	-	-	-	-	-	-	12
GN 711.2-AL-S-200-O-1	200	3	9	99	199	-	-	-	-	-	15
GN 711.2-AL-S-300-O-1	300	3	9	149	299	-	-	-	-	-	24
GN 711.2-AL-S-400-O-1	400	4	9	139	269	399	-	-	-	-	32
GN 711.2-AL-S-500-O-1	500	4	9	169	339	499	-	-	-	-	40
GN 711.2-AL-S-750*-O-1	750*	8	9	129	249	369	389	509	629	749	60
GN 711.2-AL-S-1000*-O-1	1000*	8	9	169	329	499	519	679	839	999	79

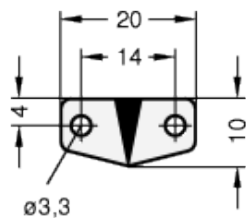
\* This lengths consists of 2 parts.



STANDARD MACHINE ELEMENTS WORLDWIDE

# GN 711.3

Indicator arrow



## technical informations

### Material

Aluminium, natural colour, anodized.  
Black imprint with numbers and scale etched (i.e., aluminium coloured)

### Imprint

Resistant to weak acids and lye Solutions, and against solvents in the Event of Brief contact.

### Identification no.

1 with mounting holes  $\varnothing 3.3$ .

## Standard Elements

Description

GN 711.3-AL-1

