

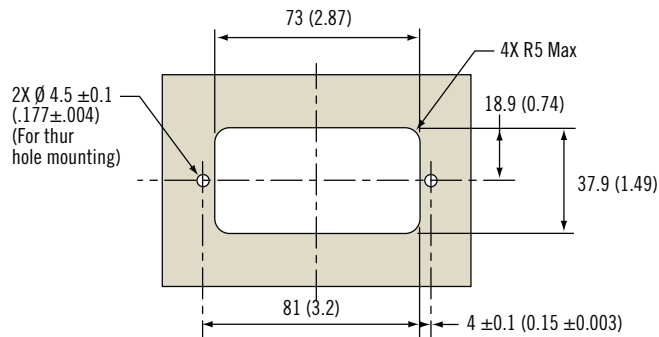
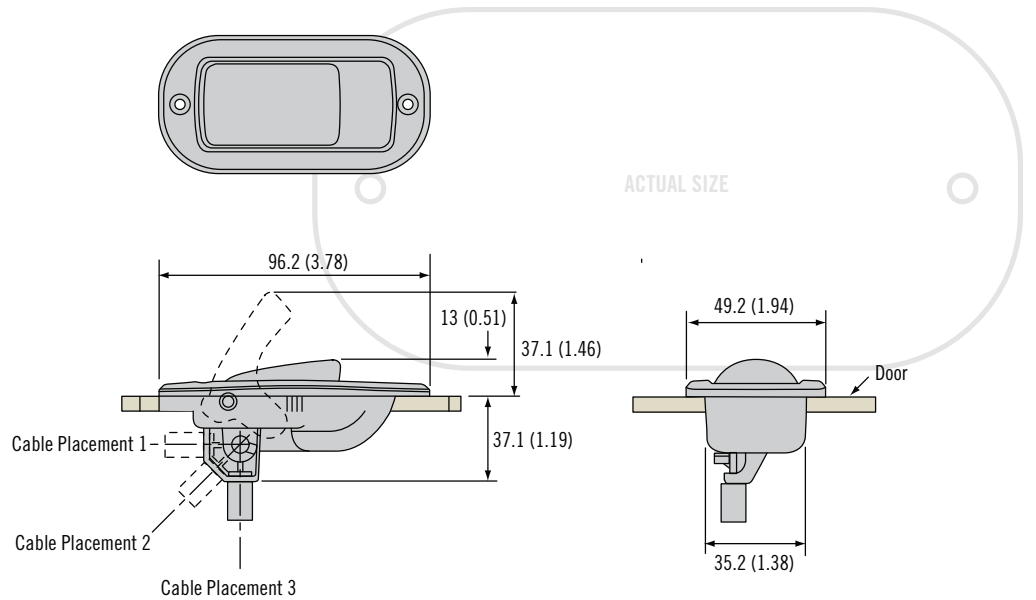


# AC-75 Single Point Actuator Paddle

- Front mount installation
- Flush
- Three cable mounting options

## Material and Finish

Paddle and housing:  
Aluminum, black powder coated



## Part Number

See table

Part Number
AC-75-101-11

Cable Orientation	Panel Thickness	Cable Travel
Placement 1	12.5 (.49) max.	11.1 (.44)
Placement 2	16 (.63) max.	13.2 (.52)
Placement 3	16 (.63) max.	13.2 (.52)

Other options available. For complete details on variety, part numbers, installation and specification, go to



[www.southco.com/AC](http://www.southco.com/AC)

© Southco AC-75 743NA 05-11

Dimensions in millimeters (inch) unless otherwise stated

Global Corporate Headquarters and Americas Customer Service & Technical Support Center  
Tel: (1) 610-459-4000 · Fax: (1) 610-459-4012 · [www.southco.com](http://www.southco.com) · [info@southco.com](mailto:info@southco.com)

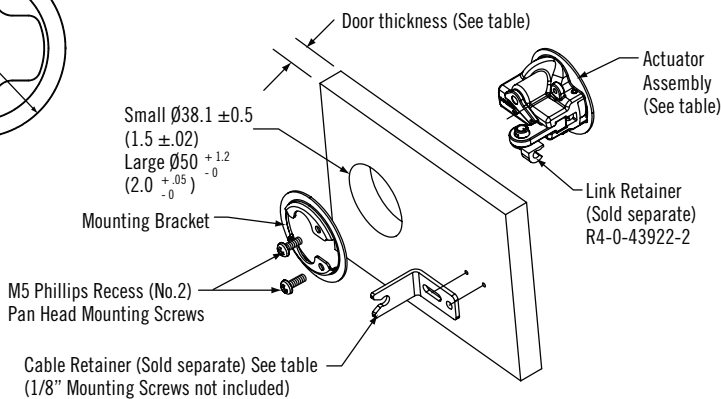
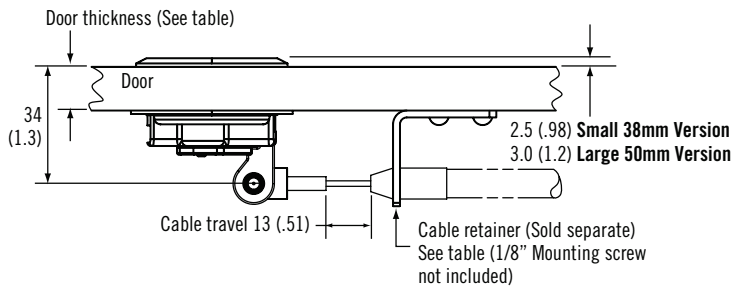
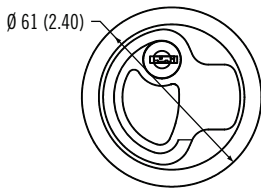
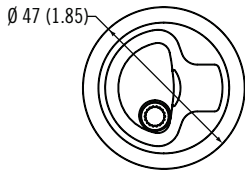
**southco**  
CONNECT · CREATE · INNOVATE

# AC Single Point Actuators

## Stainless Steel · M1 Style Actuator



38mm (1 1/2") version  
50mm (2") version



50mm (2") version

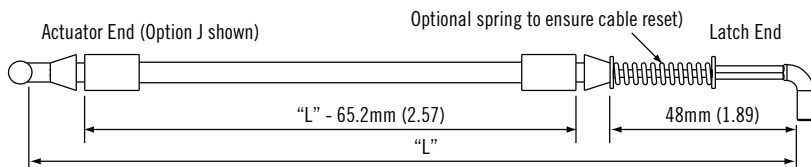
**AC - M1 - L P - 8**

38mm (1 1/2") version: (suits 9mm (3/8")  
or 12mm (1/2") panels):

**AC - M1 - 15 - L 1 - 8**

- L Lock style**  
4 Locking (2 keys supplied)  
6 Non-locking  
7 Key-locking keyed alike S008 (2 overmolded keys supplied (only available for 50mm 2" version)
- P Panel thickness**  
2 9mm (3/8")  
3 12mm (1/2")

### AC Cables



- A Actuator fitting**  
J Stainless barrel fitting to suit push-button and paddle actuators  
K Stainless "L" fitting to suit R4 latch and AC-M1 actuators

- S Spring option**  
0 No Spring  
1 With Spring (latch end only)

**AC - C A K S - 3 - LLLL - 048**

**L Length in mm**  
e.g. 0610 = 610 mm = 2'

- Single, round-hole installation
- Locking style restricts access
- Premium finish and corrosion resistance

### Material and Finish

Latch: 316 grade stainless steel and bright polished  
Spacer: Nylon, black  
Contact Southco for other finishes

### Performance Details

Max. static load: 545 N (122 lbf)

### Accessories (Small)

One key supplied per latch for additional keys order  
M7-88-9121324-S



Keeper: M1-510-19-8

Mounting screws: M1-510-96-4

### Accessories (Large)

Keeper  
Part number: M1-519-4

For lock style 4

Key (pair)  
Part number: M1-546



For lock style 7

Overmolded key S008 (pair)  
Part number:  
M1-525-39-S008



### Cables

Constructed from marine grade stainless materials, the cable is suitable for multiple bends and can be further customised upon request. Contact Southco Marine for details. An in-built spring prevents unintentional actuation by boat vibration.

Other options available. For complete details on variety, part numbers, installation and specification, go to



[www.southco.com/R4](http://www.southco.com/R4)



# R4 Push-to-Close Latch

Striker bolt · Stainless Steel · Mini · Installation

- Striker bolt for R4-10 series rotary latch

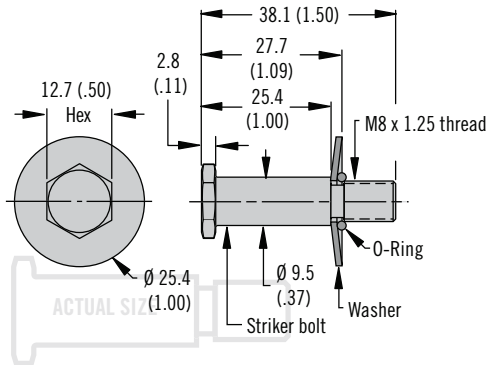
### Material and Finish

304 Stainless Steel

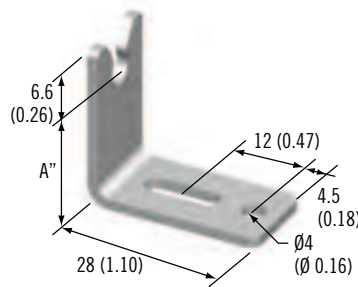
### Part Number

See table

### Striker Bolt Assembly (sold separately)



### Cable Mounting Bracket (sold separately). For use with AC-M1 actuators



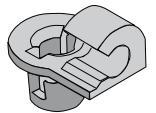
Part Number	A	Panel thickness
R4-0-50253-1	28mm (1.10)	9mm (0.35)
R4-0-50253-2	31mm (1.22)	12mm (0.47)

Striker Bolt Part Number
R4-90-121-20

### Retainer clip (sold separately)

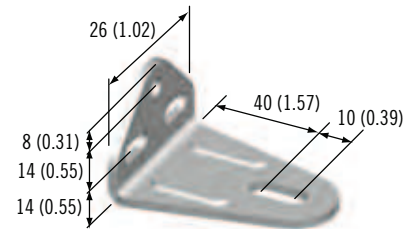
Secures cable to AC-M1 actuator

Part Number: R4-0-43922-2

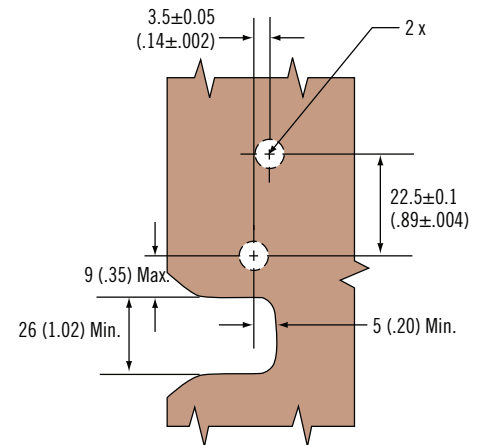


### Striker 90° Mounting Bracket (sold separately)

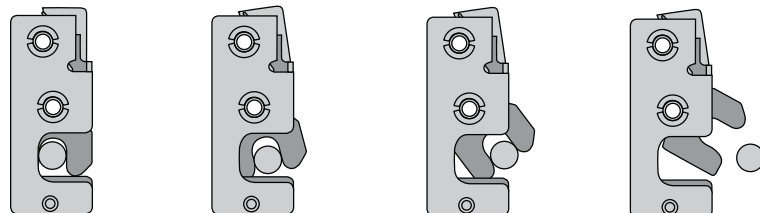
Part Number: R4-0-50114



### Panel Preparation



### Operation



Latched position

Unlatched position

Dimensions in millimeters (inch) unless otherwise stated

Global Corporate Headquarters and Americas Customer Service & Technical Support Center

Tel: (1) 610-459-4000 · Fax: (1) 610-459-4012 · www.southco.com · info@southco.com

**southco**  
CONNECT · CREATE · INNOVATE

Other options available. For complete details on variety, part numbers, installation and specification, go to



[www.southco.com/R4](http://www.southco.com/R4)

© Southco R4SS 722NA 02-11