

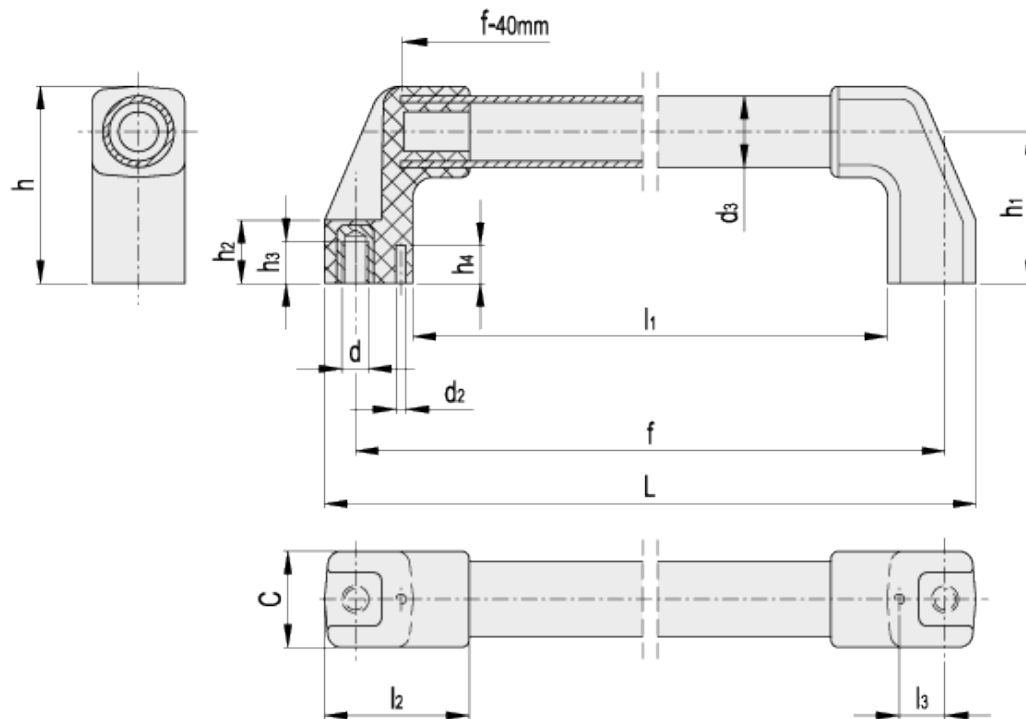
M.1043-HEI



Tubular handle
High electrical insulation



ELESA Original design



technical informations

Handle shanks

Glass-fibre reinforced polyamide based (PA) technopolymer, black colour, matte finish. Supplied assembled. The seat for housing the tube in the shank is shaped so as to prevent its rotation.

Tube

Glass-fibre reinforced polyester, black colour with high resistivity. High resistance to wear, scratches and agents.

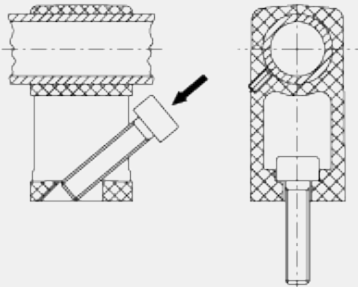
Assembly

Rear fastening with screws M10.
Two reference pins (to be fitted during assembly) guarantee a precise positioning.

Special executions on request

Intermediate shank for tube (recommended for lengths greater than 700 mm): code 15305 SCM.1043-30.

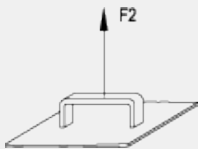
Assembly
SCM. intermediate shank



Mechanical and dielectric features

Tensile stress: F2 values reported in the table are the result of breaking tests carried out with the appropriate dynamometric equipment under the test conditions shown in the figure with ambient temperature.

The following table lists the main dielectric features of the tube.



Dielectric features of the tube

Volume resistivity	$10^{10} + 10^{15} [\Omega \cdot \text{cm}]$
Surface resistivity	$10^{10} + 10^{13} [\Omega^*]$ (according to IEC93 standard)
Dielectric resistivity	8 [KV/mm]
Comparative tracking index (CTI)	> 600 (V)
Dielectric constant	5

Standard Elements		Main dimensions											Mounting holes			F2 [N]		Weight
Code	Description	L	f + 1	h	C	l ₁	l ₂	l ₃	h ₁	h ₄	d ₂	d ₃	d	h ₃	h ₂	E #	R #	g
37776	M.1043/30-500-HEI	524	500	78	38	454	57	18	60	15	4	30	M10	17	25	3000	4500	495
37786	M.1043/30-700-HEI	724	700	78	38	654	57	18	60	15	4	30	M10	17	25	2000	3500	630

E = Maximum working load R = Load at breakage (permanent deformation).



ELESA and GANTER models all rights reserved in accordance with the law. Always mention the source when reproducing our drawings.

STANDARD MACHINE ELEMENTS WORLDWIDE