



E3 VISE ACTION® Compression Latch

Stainless Steel Housing · Tool operated

Bi-Stable Cover Series · Fixed or Adjustable grip · 19.1mm size

- Consistent pre-set compression
- Designed to work with separate bi-stable cover with fin
- Cover pops open when latch is not secure, providing visual indication of latch status
- Corrosion Resistance
- EN 45545-3 E60 Compliant

Material and Finish

Latch: Stainless steel 316 and 304

Cover: Stainless steel 316

Performance Details

Compression: 6.4 mm (.25 in)

Adjustable Grip: Maximum static load: 600 N (136 lbf)

Fixed Grip: Maximum static load: 450 N (100 lbf)

Fixed Grip: Maximum static load: 450 N (100 lbf)

Sealing Notes

NEMA 4 and IP65 enabled using gasket supplied

Installation Notes

Recommended tightening torque for the mounting nut is 15 N·m (133 in-lbf).

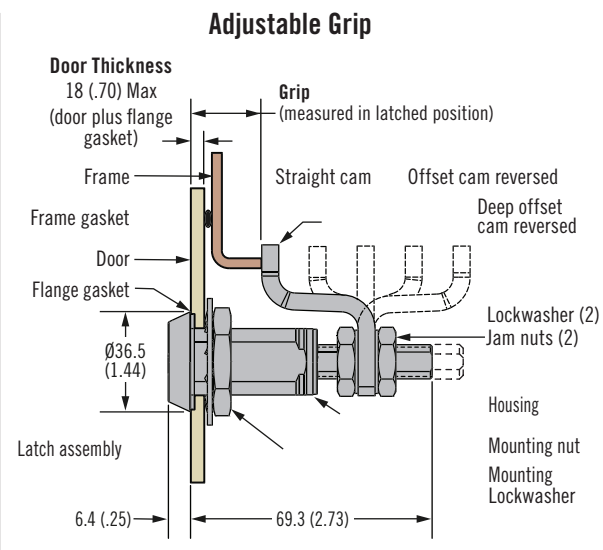
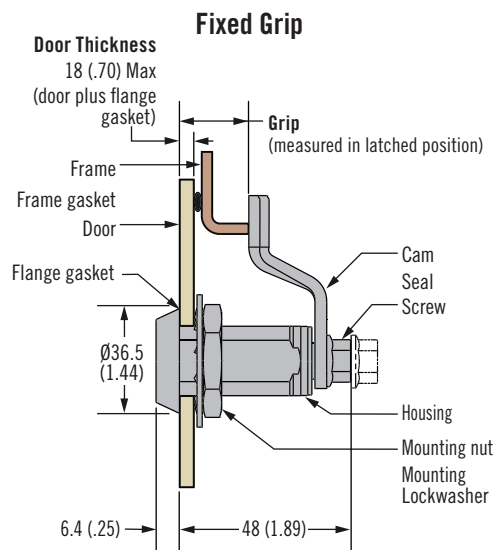
Adjustable Grip: Position cam so latching function can be achieved comfortably by hand.

Fixed Grip: Mounting screw torque 10 N·m (88 in-lbf)

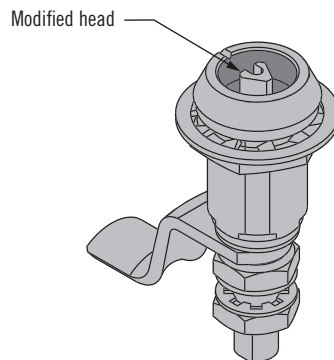
Keys and Accessories

See page 90 (modified head styles work with standard keys)

Make Safety Visible™
by Southco

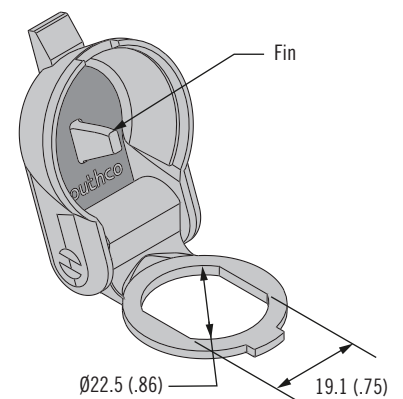


Bi-Stable Cover Latch

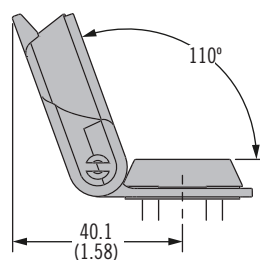


Bi-Stable Cover with fin

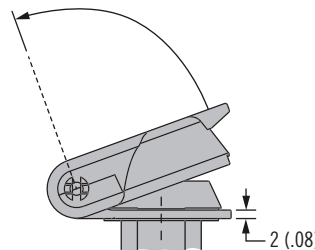
Part number E3-80-251-40 (ordered separately)



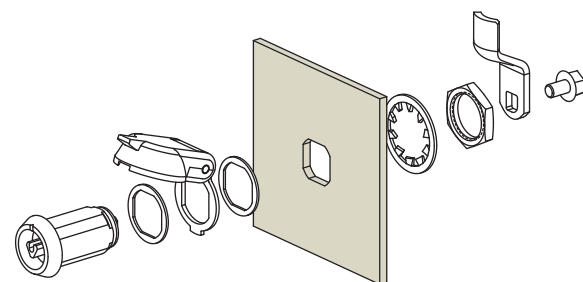
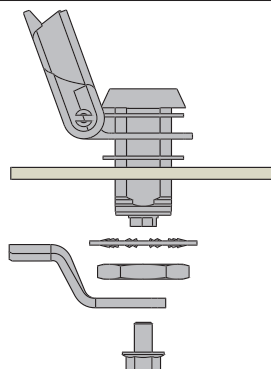
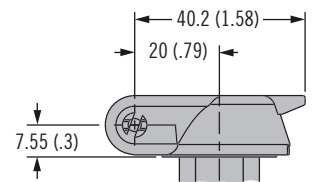
Cover in open position

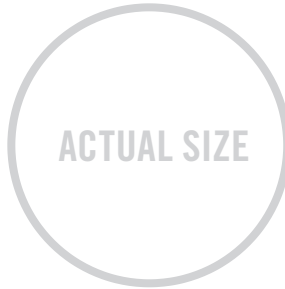
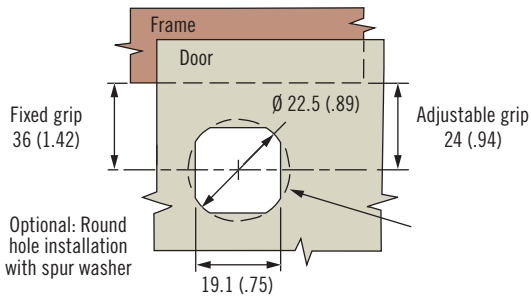


Cover returns to open position

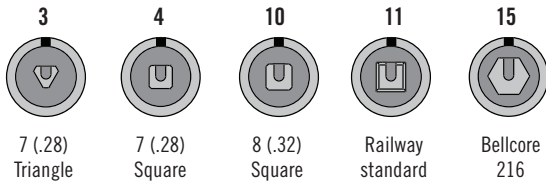


Cover in closed position



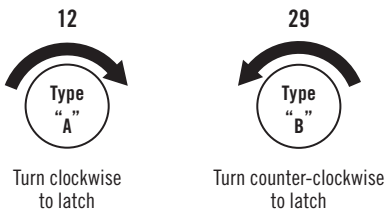


H Head Styles



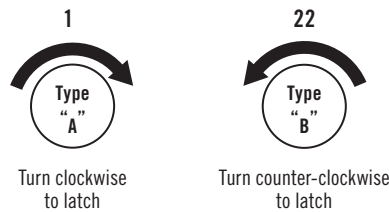
Fixed Grip

R Rotation



Adjustable Grip

R Rotation



E3 - R H B - UUO

E3 - R H B - 00

Cam Part Number (order separately from latch)			
Grip	Part Number	Grip	Part Number
20 (.79)	E5-1200-24	40 (1.57)	E5-1210-24
22 (.87)	E5-1201-24	42 (1.65)	E5-1211-24
24 (.94)	E5-1202-24	44 (1.73)	E5-1212-24
26 (1.02)	E5-1203-24	46 (1.81)	E5-1213-24
28 (1.10)	E5-1204-24	48 (1.89)	E5-1214-24
30 (1.18)	E5-1205-24	50 (1.97)	E5-1215-24
32 (1.26)	E5-1206-24	52 (2.05)	E5-1216-24
34 (1.34)	E5-1207-24	54 (2.13)	E5-1217-24
36 (1.42)	E5-1208-24	56 (2.20)	E5-1218-24
38 (1.50)	E5-1209-24	58 (2.28)	E5-1219-24

Cam Part Number (order separately from latch)			
Minimum Grip	Maximum Grip	Cam Type	Part Number
16.4 (.64)	32.2 (1.26)	Deep offset cam, forward	E3-28-201-24
71.3 (2.80)	81.2 (3.19)	Deep offset cam, reversed	
30.4 (1.19)	46.1 (1.81)	Offset cam, forward	E3-28-202-24
57.6 (2.26)	73.3 (2.88)	Offset cam, reversed	
43.9 (1.72)	59.6 (2.34)	Straight cam	E3-28-203-24

Part Number Selection

See table
 Order Latch and Cam separately
 Bi-Stable Cover with fin:
 E3-80-251-40
 Select grip from Cam table.
 For Fixed Grip, if your grip is
 between two options choose the
 smaller grip

Other options available. For complete details
 on variety, part numbers, installation and
 specification, go to



www.southco.com/E3