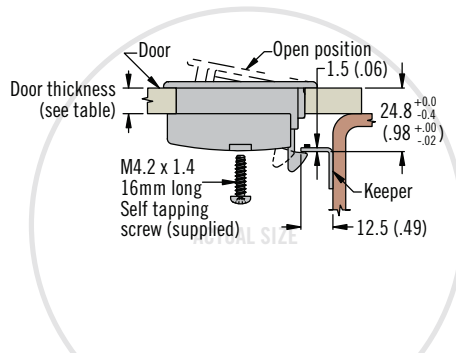
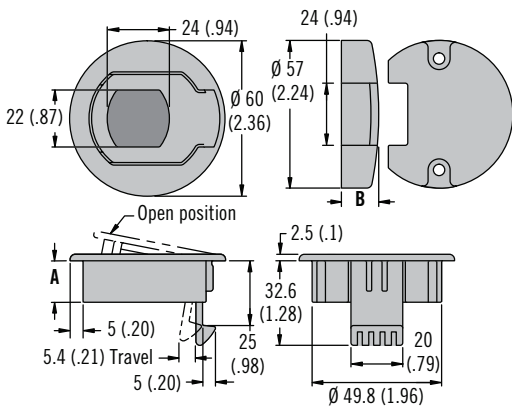


M1 Push-to-Close Latch

Lift-to-open · Flush



Mounting Cup



| Door Thickness Range | A | B | Part Number |
|------------------------|----------|------------|-------------|
| 1 - 7 (.04 - .28) | 16 (.63) | 20.4 (.80) | M1-81 |
| 7 - 13 (.28 - .51) | 16 (.63) | 14.3 (.57) | M1-82 |
| 13 - 19 (.51 - .75) | 22 (.87) | 14.3 (.57) | M1-83 |

- Low profile
- Non-corrosive and non-conductive

Material and Finish

Latch: Acetal, black
Mounting hardware: Stainless steel

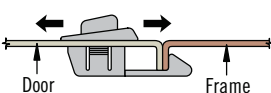
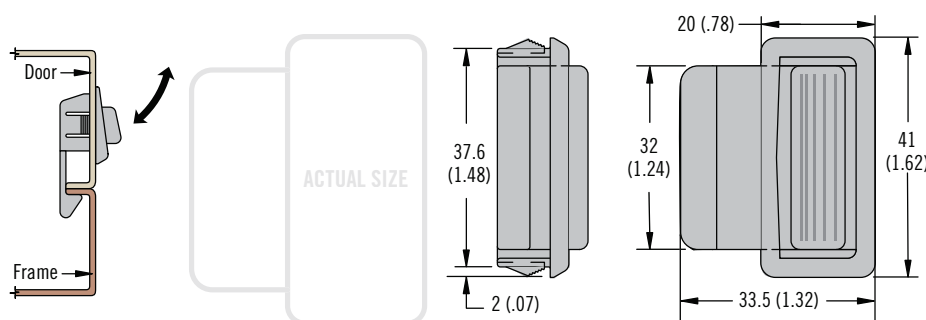
Other options available. For complete details on variety, part numbers, installation and specification, go to



www.southco.com/M1

80 Push-to-Close Latch

Push-to-open · Snap-in



| Color | Part Number |
|-------|-------------|
| White | 80-201 |
| Black | 80-202 |

- Snap-in installation
- Non-corrosive and non-conductive
- Suitable for sliding or hinged doors

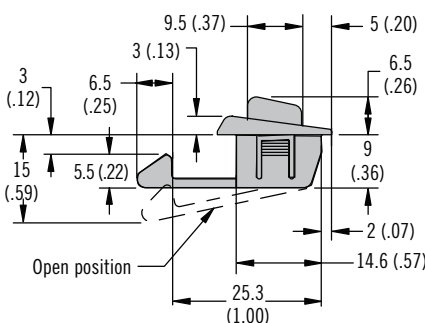
Material and Finish

Acetal, black or white

Other options available. For complete details on variety, part numbers, installation and specification, go to



www.southco.com/80



Dimensions in millimeters (inch) unless otherwise stated