



47 Captive Screws

Styled knob series · 10-32 thread size

- Designed for hand operation
- Spring ejected
- Wide variety of sizes, recesses and installation options

Material and Finish

Ferrule:

Press-in: Hardened carbon steel, zinc plate, chromate, plus sealer

Flare-in, floating and snap-in: Aluminum, natural


Knob: Aluminum, natural or black powder coated

Screw: Hardened carbon steel, zinc plated, chromate, plus sealer

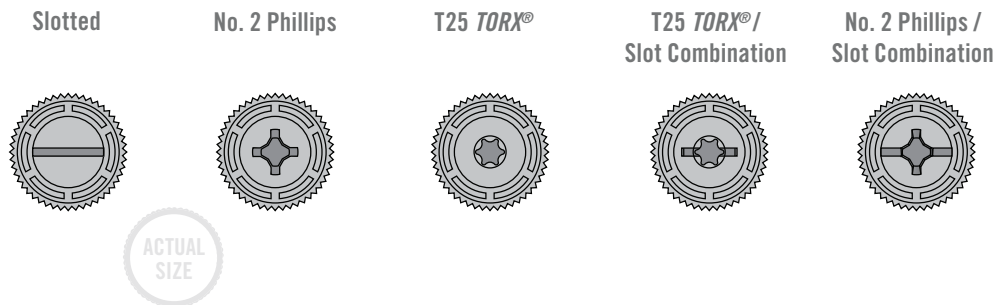
Installation Notes

See pages 392 - 393, 497

Notes

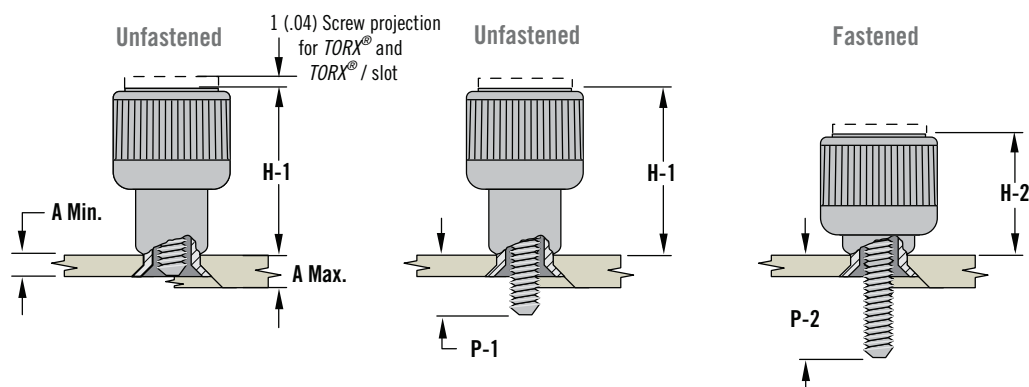
 To ensure you receive **SOUTHCO®** quality parts, look for the segmented circle

Recess Styles

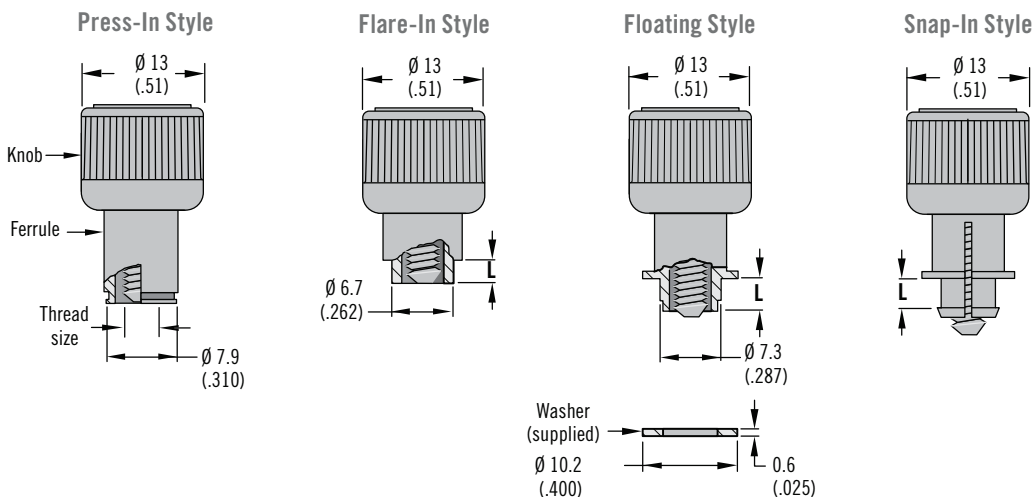


Knob Height and Screw Projection

(Flare-in style shown)



Installation Styles



TORX® is a registered trademark of Acument™ Intellectual Properties, LLC

Dimensions in millimeters (inch) unless otherwise stated

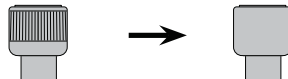
Installation Style	Knob Height		Outer Panel Dimensions		B	Total Float	Flange Length L	Screw Projection Beyond Outer Surface of Panel		Part Number								
	H-1	H-2	A Min.	A Max.				P-1	P-2	Slotted Recess	Phillips Recess	TORX® Recess	TORX® / Slot Combination	Phillips / Slot Combination				
Press-In Style	16.2 (.64)	11.2 (.44)	0.9 (.036)	~	~	0.6 (.02)	~	0.6 (.02)	5.5 (.22)	47-60-501-24	47-60-521-24	47-60-541-20	47-60-561-20	47-60-581-20				
								2.2 (.09)	7.2 (.28)	47-61-501-24	47-61-521-24	47-61-541-20	47-61-561-20	47-61-581-20				
								3.8 (.15)	8.9 (.35)	47-62-501-24	47-62-521-24	47-62-541-20	47-62-561-20	47-62-581-20				
								5.4 (.21)	10.3 (.41)	47-63-501-24	47-63-521-24	47-63-541-20	47-63-561-20	47-63-581-20				
Flare-In Style	15.6 (.61)	10.5 (.41)	1.5 (.058)	3.2 (.125)	0.4 (.015)	0.6 (.02)	1.8 (.070)	1.2 (.05)	6.3 (.25)	47-10-502-14	47-10-522-14	47-10-542-10	47-10-562-10	47-10-582-10				
			3.2 (.125)	4.7 (.187)	1.6 (.062)		3.4 (.135)	2.8 (.11)	7.9 (.31)	47-10-504-14	47-10-524-14	47-10-544-10	47-10-564-10	47-10-584-10				
			4.8 (.189)	6.4 (.250)	3.2 (.125)		5 (.197)	4.4 (.17)	9.5 (.37)	47-10-506-14	47-10-526-14	47-10-546-10	47-10-566-10	47-10-586-10				
			6.3 (.251)	7.9 (.312)	4.8 (.187)		6.6 (.260)	6 (.24)	11.1 (.44)	47-10-508-14	47-10-528-14	47-10-548-10	47-10-568-10	47-10-588-10				
			1.5 (.058)	3.2 (.125)	0.4 (.015)		1.8 (.070)	2.8 (.11)	7.9 (.31)	47-11-502-14	47-11-522-14	47-11-542-10	47-11-562-10	47-11-582-10				
			4.4 (.17)	9.5 (.37)	47-12-502-14		47-12-522-14	47-12-542-10	47-12-562-10	47-12-582-10								
			6 (.24)	11.1 (.44)	47-13-502-14		47-13-522-14	47-13-542-10	47-13-562-10	47-13-582-10								
			3.4 (.135)	4.4 (.17)	9.5 (.37)		47-11-504-14	47-11-524-14	47-11-544-10	47-11-564-10	47-11-584-10							
			6 (.24)	11.1 (.44)	47-12-504-14		47-12-524-14	47-12-544-10	47-12-564-10	47-12-584-10								
			5 (.197)	6 (.24)	11.1 (.44)		47-11-506-14	47-11-526-14	47-11-546-10	47-11-566-10	47-11-586-10							
			2.3 (.09)	7.1 (.28)	47-10-510-14		47-10-530-14	47-10-550-10	47-10-570-10	47-10-590-10								
			Floating Style	16 (.63)	11.2 (.44)		~	0.8 (.031)	2.3 (.090)	2.3 (.09)	3.2 (.127)	4 (.16)	8.8 (.35)	47-11-510-14	47-11-530-14	47-11-550-10	47-11-570-10	47-11-590-10
0.8 (.031)	1.6 (.063)	3.1 (.122)				4 (.158)	2.4 (.09)	7.1 (.28)	47-10-511-14		47-10-531-14	47-10-551-10	47-10-571-10	47-10-591-10				
4 (.16)	8.8 (.35)	47-11-511-14				47-11-531-14	47-11-551-10	47-11-571-10	47-11-591-10									
5.6 (.22)	10.4 (.41)	47-12-511-14				47-12-531-14	47-12-551-10	47-12-571-10	47-12-591-10									
1.6 (.063)	2.4 (.094)	3.9 (.153)				4.8 (.190)	4 (.16)	8.8 (.35)	47-10-512-14		47-10-532-14	47-10-552-10	47-10-572-10	47-10-592-10				
5.6 (.22)	10.4 (.41)	47-11-512-14				47-11-532-14	47-11-552-10	47-11-572-10	47-11-592-10									
Snap-In Style	15.7 (.62)	11.2 (.44)				0.5 (.020)	1 (.039)	2 (.079)	.9 (.04)		1.1 (.044)	1.2 (.04)	5.6 (.22)	47-60-510-14	47-60-530-14	47-60-550-10	47-60-570-10	47-60-590-10
						2.8 (.11)	7.1 (.28)	47-61-510-14			47-61-530-14	47-61-550-10	47-61-570-10	47-61-590-10				
						4.3 (.17)	8.8 (.35)	47-63-510-14			47-63-530-14	47-63-550-10	47-63-570-10	47-63-590-10				
						5.9 (.23)	10.4 (.41)	47-63-510-14			47-63-530-14	47-63-550-10	47-63-570-10	47-63-590-10				
						1 (.039)	1.6 (.063)	2.6 (.103)			1.7 (.068)	2.8 (.11)	7.1 (.28)	47-60-512-14	47-60-532-14	47-60-552-10	47-60-572-10	47-60-592-10
						4.3 (.17)	8.8 (.35)	47-61-512-14			47-61-532-14	47-61-552-10	47-61-572-10	47-61-592-10				
			5.9 (.23)	10.4 (.41)	47-62-512-14	47-62-532-14	47-62-552-10	47-62-572-10		47-62-592-10								
			2.6 (.103)	2.8 (.11)	7.1 (.28)	47-60-514-14	47-60-534-14	47-60-554-10		47-60-574-10	47-60-594-10							
			4.3 (.17)	8.8 (.35)	47-61-514-14	47-61-534-14	47-61-554-10	47-61-574-10		47-61-594-10								
			5.9 (.23)	10.4 (.41)	47-62-514-14	47-62-534-14	47-62-554-10	47-62-574-10		47-62-594-10								

Part numbers in shaded rows (shown in table) are fully retracting in minimum panel thickness



To add a black powder coated finish, change the part number from the table as shown:

- Change 1 to 5: 47-80-102-14
47-80-102-54
- Change 2 to 6: 47-80-102-24
47-80-102-64



For a smooth knob, change the part number from the table as shown:

- Change 0 to 1: 47-90-161-20
47-90-161-21
- Change 4 to 5: 47-90-101-24
47-90-101-25

Part Number

See table

All screw part numbers shown in table are for a natural knob finish and a knurled knob

For black finish and smooth knob options, minimums may apply

