



27 · 48 · Compression Latches

Self-adjusting · Single hole mount

- Two sizes available
- Easy grip adjustment
- Multiple head styles

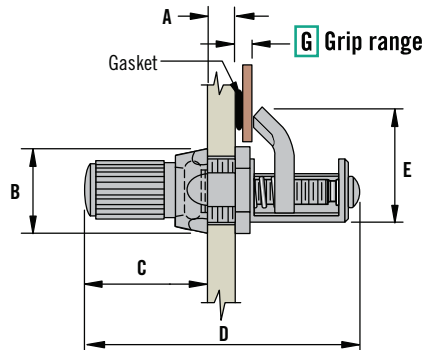
Material and Finish

Steel, zinc plated or stainless steel

Performance Details

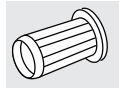
27 Working load: 155 N (35 lbf)

48 Working load: 220 N (50 lbf)

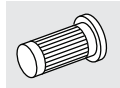


Size	A	B	C	D	E
27 Series Miniature	4.8 (.19) Max.	10.3 (.41) Max.	17.5 (.69) Max.	31.8 (1.25)	13.9 (.55)
48 Series Small	4.8 (.19) Max.	21 (.81) Max.	19 (.75) Max.	44 (1.73)	25.3 (.99)

Nylon knob



Knurled



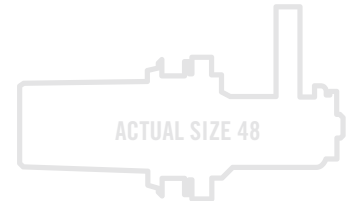
Slotted



Hex recess



Phillips recess



27 Series · Miniature

Material	Grip Range		Knurled	Slotted	Hex Recess	Nylon Knob
	Min.	Max.				
Steel	0.8 (.03)	7.1 (.28)	27-99-123-10 *	27-10-501-10 *	27-10-701-10 *	27-10-311-10 *
Stainless steel	0.8 (.03)	7.1 (.28)	27-99-123-20 *	27-10-501-20 *	27-10-701-20 *	27-10-311-20 *

* all part numbers shown are for clockwise rotation. For specification and ordering details visit: www.southco.com/27

48 Series · Small

Material	Grip Range		Nylon Knob	Slotted	Hex Recess	Phillips Recess
	Min.	Max.				
Steel	2.4 (.09)	9.5 (.38)	48-10-401-10	48-11-R	48-81-R	48-91-R
Steel	8.7 (.34)	15.9 (.63)	48-10-402-10	48-12-R	48-82-R	48-92-R
Steel	15.1 (.59)	22.2 (.88)	48-10-403-10	48-13-R	48-83-R	48-93-R

For specification and ordering details visit: www.southco.com/48

Other options available. For complete details on variety, part numbers, installation and specification, go to



www.southco.com/27
www.southco.com/48

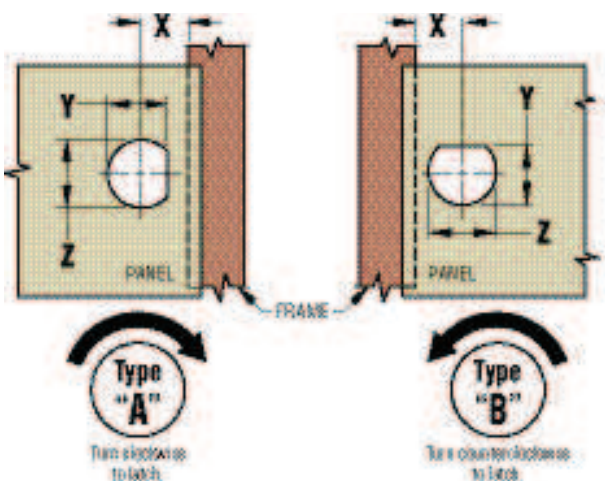
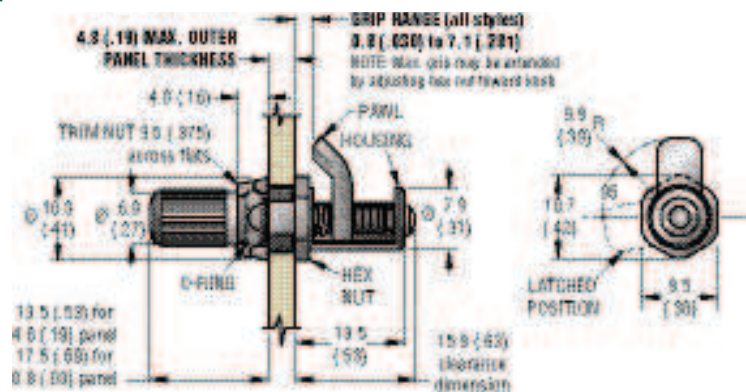
Dimensions in millimeters (inch) unless otherwise stated

southco
CONNECT · CREATE · INNOVATE

Southco® Compression Latches

Miniature Size

- Single-hole installation
- An extra turn adjusts the amount of compression applied
- Corrosion-resistant assemblies available
- Four access styles including hand- and tool-operated



X	6.4±0.7 (.250±.021)
Y	7.4 ^{+0.1} ₀ (.292 ^{+0.004})
Z	8.03±0.00 (.316±.000)



Material and Finish

For steel assemblies:

HOUSING and TRIM NUT: Low carbon steel, zinc plate, chromate plus sealer or chrome plated. PAWL: 1010 Steel, zinc plate, chromate plus sealer. SCREW: 12L14 Steel, zinc plate, chromate plus sealer or chrome plated. BUSHING: Brass, natural. SPRING: 302 Stainless steel, passivated. HEX NUT: 303 Stainless steel, passivated. O-RING: Buna-N rubber. KNOB: Nylon, black.

For stainless steel assemblies:

HOUSING, SCREW and TRIM NUT: 303 Stainless steel, passivated or with black organic coating. BUSHING: Brass, natural. PAWL and SPRING: 302 Stainless steel, passivated. O-RING: Buna-N rubber. HEX NUT: 303 Stainless steel, passivated. KNOB: Nylon, black UL94-HB.

Installation

1. Install latch from back side of panel.
2. Slip trim nut over knob, slotted head or hex socket head and finger tighten against panel.
3. With pawl in latched position, tighten hex nut hard against back of panel with 3/8" end wrench.

For Black Nylon Knob style:

Be sure latch is properly attached and functioning then press knob onto knurled steel head of screw. Neither knob nor latch can be removed once knob is pressed into position.

Product Strength Guidelines

(To assist in your product selection; samples are available for your evaluation.)

Maximum static load: 155 N (35 lbs.)
Average ultimate load: 400 N (90 lbs.)

Operating Temperature Range: -20°C (0°F) to 80°C (180°F)

Flammability Rating (KNOB): UL94-HB

Material and Finish	PART NUMBERS							
	Black Nylon Knob		Knurled Steel or Stainless Steel Knob		Low-profile Slotted Head		Hex-socket Head	
	Type "A"	Type "B"	Type "A"	Type "B"	Type "A"	Type "B"	Type "A"	
Steel, zinc plated	27-10-311-10 •	27-20-311-10 •	27-99-123-10 •	27-99-126-10 •	27-10-501-10 •	27-20-501-10	27-10-701-10	
Stainless steel, passivated	27-10-311-20 •	27-20-311-20 •	27-99-123-20 •	27-99-126-20 •	27-10-501-20 •	27-20-501-20 •	27-10-701-20 •	
Steel, chrome plated	27-10-311-30 •	—	27-99-123-30 •	—	27-10-501-30	—	—	
Stainless steel with black organic coating	—	—	27-99-123-50 •	27-99-126-50 •	27-10-501-50 •	27-20-501-50	—	

millimeter (inch)
millimeter (inch)

Dimensions without tolerances are for reference only.