



19 Swell Action Latch

Plastic · Flush

- Flush low profile design
- Accommodates misalignment
- Vibration resistant

Material and Finish

Nylon black with stainless steel mounting bracket and SBR rubber bushing

Set tool: 1095 Steel, zinc plated

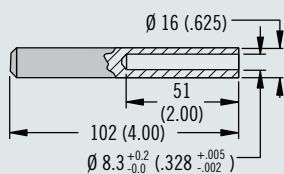
Performance Details

Series	Frame thickness	Rated load (short term)
19-83-10	0.5 - 3.2 (.016 - .13)	180 N (40lbf)
19-93-10	0.5 - 3.2 (.016 - .13)	440 N (100lbf)
	3.2 - 4.8 (.125 - .19)	330 N (75lbf)

Installation notes

Position bracket and retainer over stud and strike set tool. Adjust mounting nut to set latching tension.

Set tool

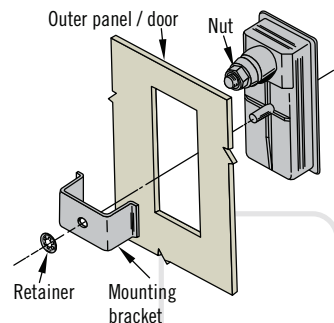
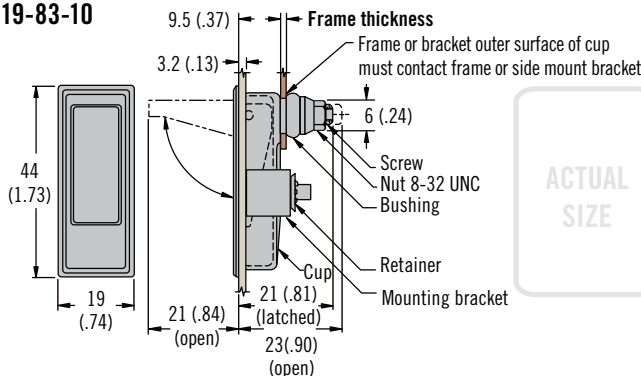


Tool part number: 17-10019-11

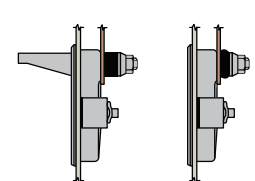
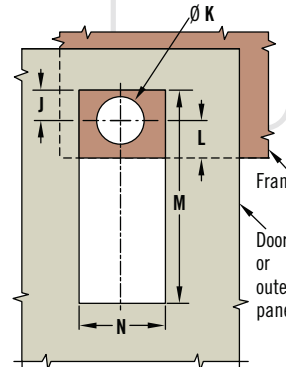
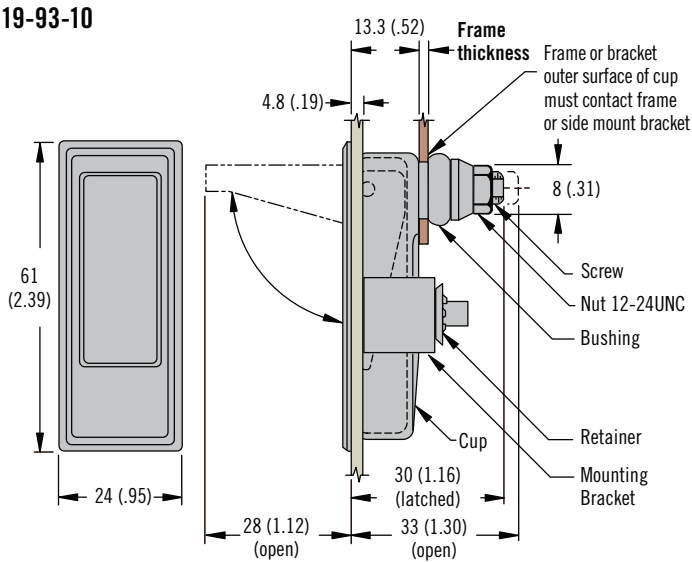
Part Number

See table

19-83-10



19-93-10



Part Number	Max. Misalignment Between Centerlines of Panel Hole and Frame Hole	Frame or Bracket					Outer Panel / Door	
		Rated Load (Short Term)	Frame Thickness	J ± 0.3 (.010)	Ø K +0.5 (.020) -0.0 (.000)	L Max.	M	N
19-83-10	0.4 (.015)	180 N (40lbf)	3.2 (.13) Max.	6 (.234)	9.5 (.375)	11 (.45)	41.5 ^{+0.4} _{-0.0} (1.64 ^{+0.005} ₋₀)	16.5 ⁺⁰ _{-0.4} (.640 ⁺⁰ _{-.005})
19-93-10	0.6 (.025)	440 N (100lbf)	Up to 3.2 (.13)	8 (.312)	13.5 (.531)	15 (.56)	57.5 ± .02 (2.265 ± .005)	20.5 ^{+0.4} _{-0.0} (.812 ⁺⁰ _{-.005})
	0.8 (.030)	330 N (75lbf)	3.2 - 4.8 (.13 - .19)		14 (.56)			

Dimensions in millimeters (inch) unless otherwise stated