



# 12 Series Fast-Lead Screws

## Studs · Medium

### Material and Finish

Low carbon steel, case hardened, zinc plate, chromate plus sealer or stainless steel

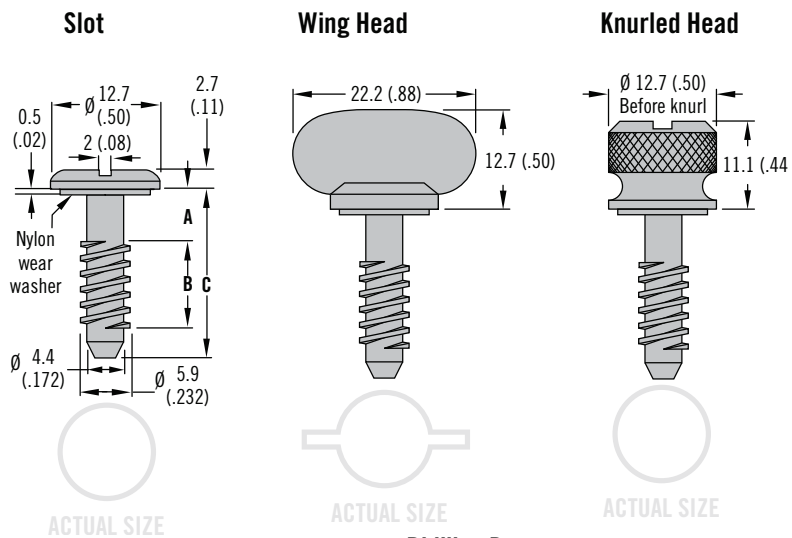
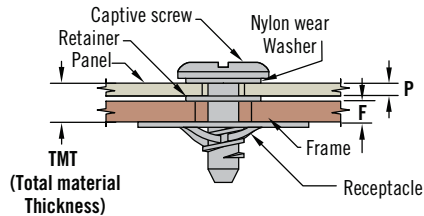
### How to Specify:

1. Determine your outer panel and frame thicknesses:  
Outer panel P =  
Frame thickness F =
2. Choose your receptacle
3. Choose the retainer style
4. Find the correct constant in table opposite using the receptacle and retainer selected
5. Add outer panel thickness (P), frame thickness (F), and the constant found in step 4 to determine your total material thickness (TMT)  
 $TMT = P + F + \text{Constant}$
6. Find the TMT value in the ranges given in Column 1 in the part number table
7. Confirm that the outer panel thickness P does not exceed the value given in Column 2. This will confirm that your retainer will install properly beyond the last thread and retain your screw to the outer panel
8. Going across the row in the part number table, find the part number that matches your desired head style

### Notes

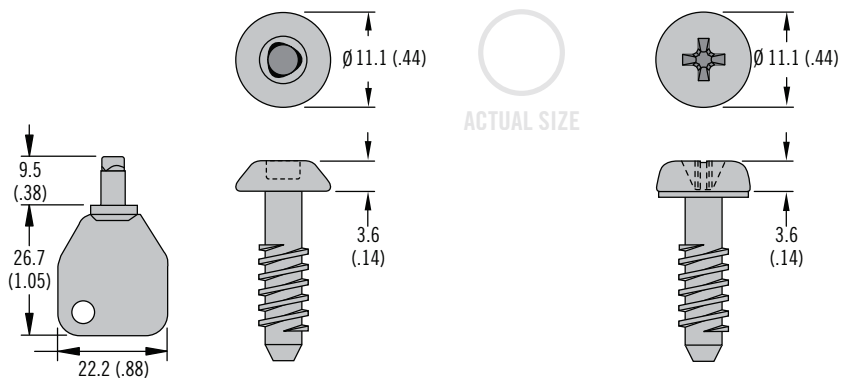
For full screw retraction, **B** must be less than inner panel thickness plus receptacle height

**For stainless steel screw** (slot, wing and knurled ONLY) replace last 2 digits of part number with "12".  
Example: 12-11-102-12



### Tool head Recess

### Phillips Recess



Tool head recess key order separately  
Part number 29-90-214-10

### Constant Table

Retainer type	Receptacle Type				
	Flat	Clip	Saddle	Side	Press-In
Stainless steel	0.38 (.015)	1.1 (.045)	4.0 (.156)	1.5 (.060)	-1.3 (-.050)
Nylon	1.4 (.054)	2.0 (.079)	5.31 (.210)	1.5 (.060)	-0.5 (-.020)

Dimensions in millimeters (inch) unless otherwise stated

**Part Number**

See table

Column 1		Column 2	Screw Assembly Part Number					Dimensions		
TMT to be Fastened		Max. Thickness of Outer Panel P	Slotted	Wing	Knurled	Tool Head Recess	Phillips Recess	A	B	C
Min.	Max.									
1.3 (.050)	3.2 (.125)	0.6 (.025)	12-11-102-11	12-12-102-11	12-13-102-11	12-T-102	12-P-102	2.5 (.100)	5.8 (.228)	12.3 (.486)
2.5 (.100)		1.9 (.075)	12-11-103-11	12-12-103-11	12-13-103-11	12-T-103	12-P-103	3.8 (.150)	4.5 (.178)	
1.3 (.050)	6.4 (.250)	0.6 (.025)	12-11-202-11	12-12-202-11	12-13-202-11	12-T-202	12-P-202	2.5 (.100)	9.0 (.353)	15.5 (.611)
2.5 (.100)		1.9 (.075)	12-11-203-11	12-12-203-11	12-13-203-11	12-T-203	12-P-203	3.8 (.150)	7.7 (.303)	
3.8 (.150)		3.2 (.125)	12-11-204-11	12-12-204-11	12-13-204-11	12-T-204	12-P-204	5.1 (.200)	6.4 (.253)	
5.1 (.200)		4.5 (.175)	12-11-205-11	12-12-205-11	12-13-205-11	12-T-205	12-P-205	6.4 (.250)	5.2 (.203)	
1.3 (.050)	9.5 (.375)	0.6 (.025)	12-11-302-11	12-12-302-11	12-13-302-11	12-T-302	12-P-302	2.5 (.100)	12.1 (.478)	18.7 (.736)
2.5 (.100)		1.9 (.075)	12-11-303-11	12-12-303-11	12-13-303-11	12-T-303	12-P-303	3.8 (.150)	10.9 (.428)	
3.8 (.150)		3.2 (.125)	12-11-304-11	12-12-304-11	12-13-304-11	12-T-304	12-P-304	5.1 (.200)	9.6 (.378)	
5.1 (.200)		4.5 (.175)	12-11-305-11	12-12-305-11	12-13-305-11	12-T-305	12-P-305	6.4 (.250)	8.3 (.328)	
7.6 (.300)		7.0 (.275)	12-11-307-11	12-12-307-11	12-13-307-11	12-T-307	12-P-307	8.9 (.350)	5.8 (.228)	
2.5 (.100)	12.7 (.500)	1.9 (.075)	12-11-403-11	12-12-403-11	12-13-403-11	12-T-403	12-P-403	3.8 (.150)	14.1 (.553)	21.9 (.861)
3.8 (.150)		3.2 (.125)	12-11-404-11	12-12-404-11	12-13-404-11	12-T-404	12-P-404	5.1 (.200)	12.8 (.503)	
5.1 (.200)		4.5 (.175)	12-11-405-11	12-12-405-11	12-13-405-11	12-T-405	12-P-405	6.4 (.250)	11.5 (.453)	
7.6 (.300)		7.0 (.275)	12-11-407-11	12-12-407-11	12-13-407-11	12-T-407	12-P-407	8.9 (.350)	9.0 (.353)	
10.2 (.400)		9.5 (.375)	12-11-409-11	12-12-409-11	12-13-409-11	12-T-409	12-P-409	11.4 (.450)	6.4 (.253)	
2.5 (.100)	15.9 (.625)	1.9 (.075)	12-11-503-11	12-12-503-11	12-13-503-11	12-T-503	12-P-503	3.8 (.150)	17.2 (.678)	25 (.986)
3.8 (.150)		3.2 (.125)	12-11-504-11	12-12-504-11	12-13-504-11	12-T-504	12-P-504	5.1 (.200)	16.0 (.628)	
5.1 (.200)		4.5 (.175)	12-11-505-11	12-12-505-11	12-13-505-11	12-T-505	12-P-505	6.4 (.250)	14.7 (.578)	
7.6 (.300)		7.0 (.275)	12-11-507-11	12-12-507-11	12-13-507-11	12-T-507	12-P-507	8.9 (.350)	12.1 (.478)	
10.2 (.400)		9.5 (.375)	12-11-509-11	12-12-509-11	12-13-509-11	12-T-509	12-P-509	11.4 (.450)	9.6 (.378)	
12.7 (.500)		12.1 (.475)	12-11-511-11	12-12-511-11	12-13-511-11	12-T-511	12-P-511	14 (.550)	7.1 (.278)	
2.5 (.100)	19.1 (.750)	1.9 (.075)	12-11-603-11	12-12-603-11	12-13-603-11	12-T-603	12-P-603	3.8 (.150)	20.4 (.803)	28.2 (1.111)
3.8 (.150)		3.2 (.125)	12-11-604-11	12-12-604-11	12-13-604-11	12-T-604	12-P-604	5.1 (.200)	19.1 (.753)	
5.1 (.200)		4.5 (.175)	12-11-605-11	12-12-605-11	12-13-605-11	12-T-605	12-P-605	6.4 (.250)	17.9 (.703)	
7.6 (.300)		7.0 (.275)	12-11-607-11	12-12-607-11	12-13-607-11	12-T-607	12-P-607	8.9 (.350)	15.3 (.603)	
10.2 (.400)		9.5 (.375)	12-11-609-11	12-12-609-11	12-13-609-11	12-T-609	12-P-609	11.4 (.450)	12.8 (.503)	
12.7 (.500)		12.1 (.475)	12-11-611-11	12-12-611-11	12-13-611-11	12-T-611	12-P-611	14 (.550)	10.2 (.403)	
15.3 (.600)		14.6 (.575)	12-11-613-11	12-12-613-11	12-13-613-11	12-T-613	12-P-613	16.5 (.650)	7.7 (.303)	
17.8 (.700)		17.2 (.675)	12-11-615-11	12-12-615-11	12-13-615-11	12-T-615	12-P-615	19.1 (.750)	5.2 (.203)	





## 12 Series Fast-Lead Screws Receptacles · Medium

### Material and Finish

Steel, zinc immersion coating or stainless steel

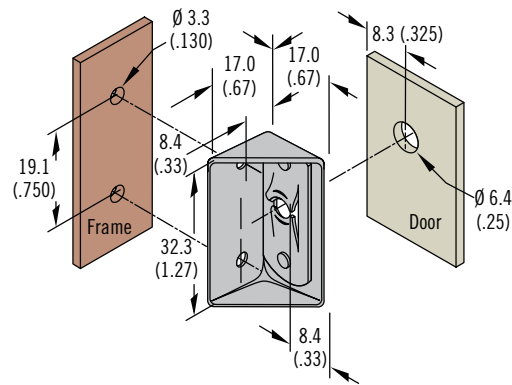
Side mount receptacle: 1064 steel, zinc immersion coating

Press-in receptacle: low carbon steel, case hardened and zinc plate, chromate plus sealer

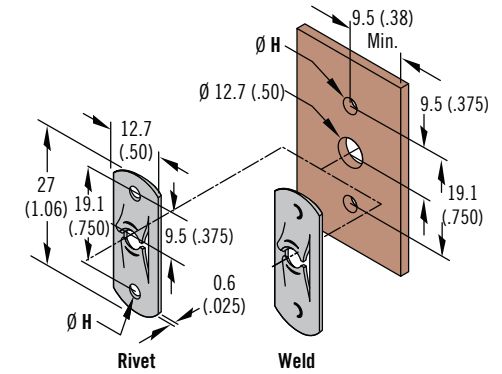
### Installation Notes

See page 497 for self-clinching installation guidelines

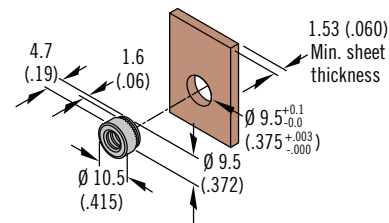
### Side Mount Receptacle



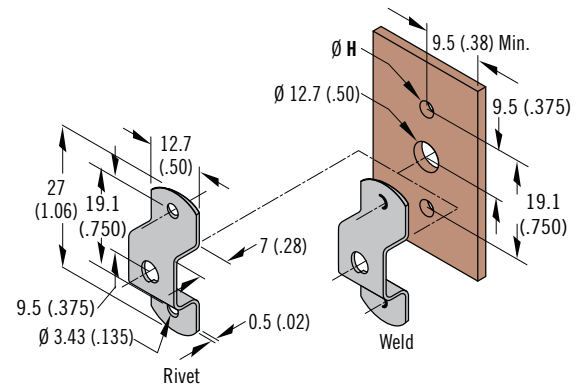
### Flat Type Receptacle



### Self-Clinching Receptacle Free Running



### Saddle Type Receptacle



### Part Number

See table

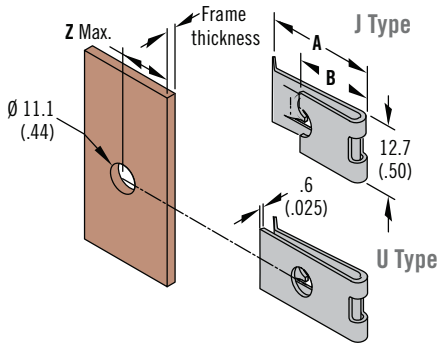
Type	Ø H	Receptacle Part Number	
		Steel	Stainless steel
Side mount receptacle	~	12-90-101-10	~
Flat receptacle rivet	2.7 (.105)	12-11015-13	12-11015-14
	3.4 (.135)	12-11020-11	12-11020-13
Flat receptacle weld-on	~	~	12-11016-11
Press-in receptacle	~	12-44-101-11	~
Saddle receptacle rivet	3.4 (.135)	12-11043-11	12-11043-12
Saddle receptacle weld-on	~	~	12-11044-12

Dimensions in millimeters (inch) unless otherwise stated

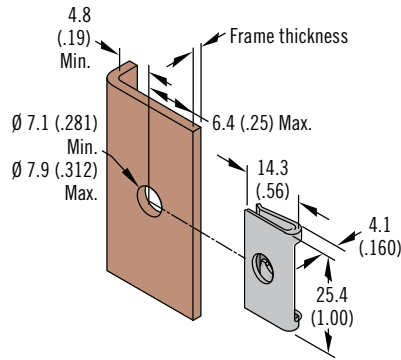
# 12 Series Fast-Lead Screws Receptacles / retainers · Medium



## Clip-On Type Receptacle



## Narrow Flange



Type	Frame Thickness	A	B	Z Max.	Receptacle Part Number	
					Steel	Stainless steel
Clip-on receptacle - J	.8 (.031) to 2.8 (.109)	24.8 (.98)	14.2 (.56)	12.7 (.50)	12-11025-11	~
Clip-on receptacle - U	.8 (.031) to 2.8 (.109)	25.9 (1.02)			11.9 (.47)	12-11017-11
	2.8 (.109) - 4.1 (.161)		~	12-11027-11		~
	2.8 (.109) - 4.1 (.161)	24.8 (.98)	13.5 (.53)	11.1 (.44)	12-11029-11	
	4.1 (.161) - 5.5 (.213)				12-11031-11	
5.4 (.213) - 6.7 (.265)	24.5 (.97)	13.01 (.51)				
Clip-on receptacle - Narrow flange	0.8 (.031) - 2.8 (.109)	~	~	~	12-11050-27	

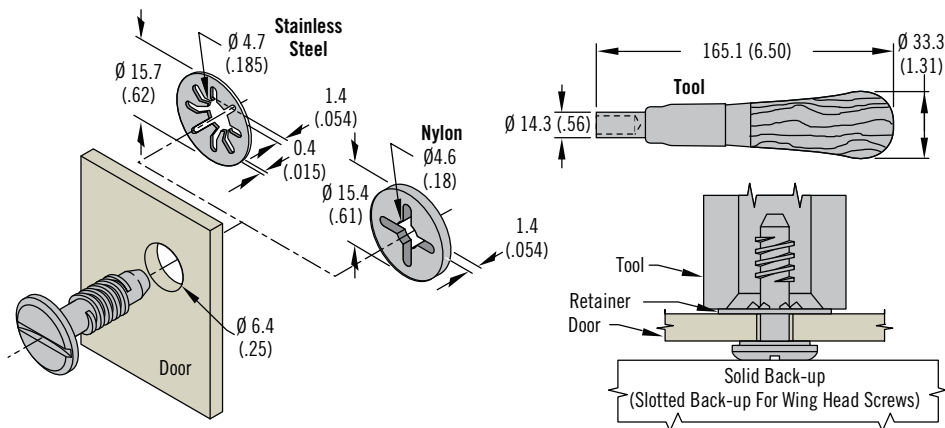
## Material and Finish

Steel, zinc immersion coating or stainless steel

## Part Number

See table

## Retainers



Retainer Style	Retainer Part Number	Tool Part Number
304 Stainless steel, passivated	12-6-1	12-0-20980-11
Nylon, black	12-11064-42	

## Part Number

See table