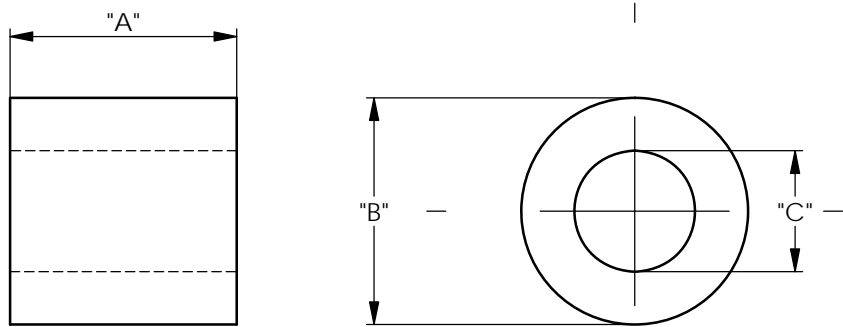


| REV. | MODIFICATION. | DATE | DRN |
|------|--------------------|----------|-----|
| 01 | Production Release | 10/04/11 | SF |



| PART NUMBER | "A" | "B" | "C" |
|--------------|-----|-----|-----|
| 311320140050 | 1 | 6 | 3.2 |
| 311320240050 | 2 | | |
| 311320340050 | 3 | | |
| 311320440050 | 4 | | |
| 311320540050 | 5 | | |
| 311320640050 | 6 | | |
| 311320740050 | 7 | | |
| 311320840050 | 8 | | |
| 311320940050 | 9 | | |
| 311321040050 | 10 | | |
| 311321240050 | 12 | 8 | 4.3 |
| 311321540050 | 15 | | |
| 311322040050 | 20 | | |
| 311322540050 | 25 | | |
| 311323040050 | 30 | | |
| 311430240050 | 2 | | |
| 311430340050 | 3 | | |
| 311430440050 | 4 | | |
| 311430540050 | 5 | | |
| 311430640050 | 6 | | |
| 311430740050 | 7 | | |
| 311430840050 | 8 | | |
| 311431040050 | 10 | | |
| 311431240050 | 12 | | |
| 311431540050 | 15 | | |
| 311432040050 | 20 | | |
| 311432540050 | 25 | | |
| 311433040050 | 30 | | |
| 311433540050 | 35 | | |
| 311434040050 | 40 | | |

INFORMATION CONTAINED IN THIS DOCUMENT IS CONFIDENTIAL TO RICHCO INTERNATIONAL Co. Ltd. AND MAY NOT BE DISCLOSED OR REPRODUCED IN WHOLE OR PART WITHOUT THEIR WRITTEN CONSENT.

RICHCO, INC.
WWW.RICHCO-INC.COM

ALL DIMENSIONS IN mm
GENERAL TOLERANCES ± 0.25
UNLESS OTHERWISE STATED
1 DECIMAL PLACE ± 0.25
2 DECIMAL PLACES ± 0.10
ANGULAR $\pm 1^\circ$

THIRD ANGLE

MATERIAL: BRASS: RMS-260, NICKEL: RMS-234
COLOUR: BRASS

DESCRIPTION: ROUND BRASS SPACER
PART No: SEE TABLE

DRG No: 012-045
PROJECT NUMBER: EU12-0037
SHEET SIZE: A4

DRN: SF
DATE: 10/04/12
CHKD: TC
DATE: 10/04/12
SCALE: NTS
SHEET No: 1 OF 1