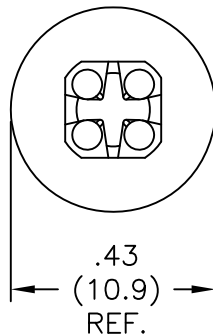
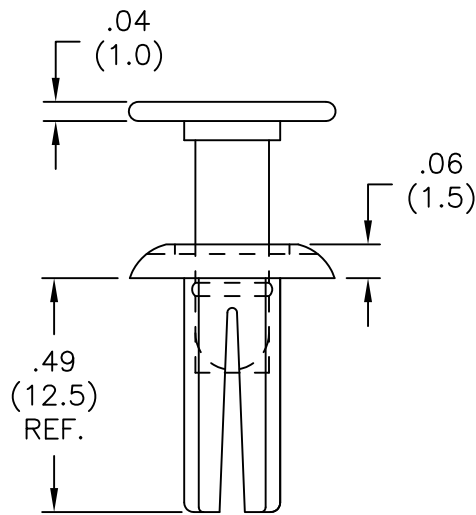


AVAILABLE BY SPECIAL ORDER ONLY



NOTE:

1. MATERIAL: NYLON 6 (RMS-120).
2. COLOR: NATURAL.
3. PANEL THICKNESS: .140-.200 (3.56-5.08)

E	SEE CO 200035 FOR CHANGES	SK 09.26.07
D	ADDED PANEL THCK. TO NOTES.	S.M. 06.13.02
C	ADDED RMS-120 TO MATERIAL NOTE	S.M. 03.05.02
B	COMPLETELY RE-DRAWN	S.M. 06.08.01
A	RELEASED FOR PRODUCTION	F.L. 05.19.99
REV	DESCRIPTION	ENGR DATE

TITLE: PUSH RIVET 10



DWG IN IN (MM)

FINAL

TOLERANCES UNLESS NOTED .XX=±.010 .XXX=±.005 FRAC=±1/64 ANG=±1°	FILE # PPR10	DWN: S.M.	APP:	PART # PPR-10	PRINT TYPE CA
	MAT'L: SEE NOTES	DT: 06/07/01	DT:		
	RE: RICHCO, INC.	RICHCO INC. PO BOX 804238, CHICAGO, 60680 (773) 539-4060			