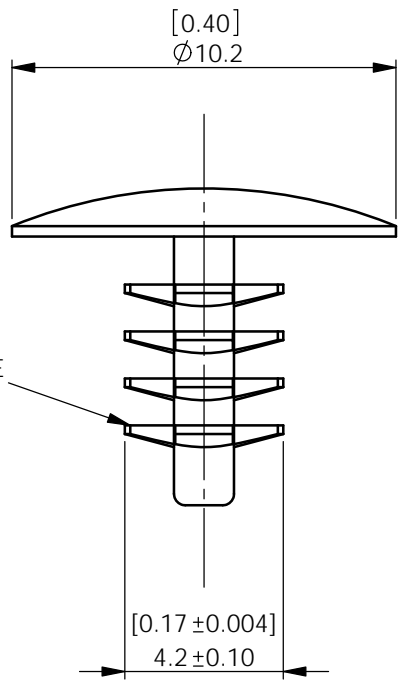
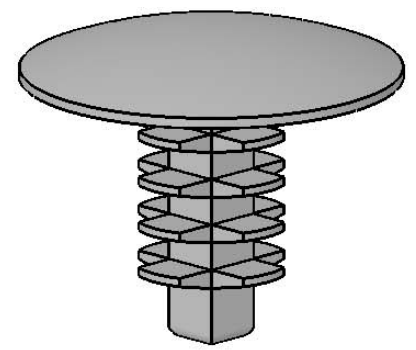
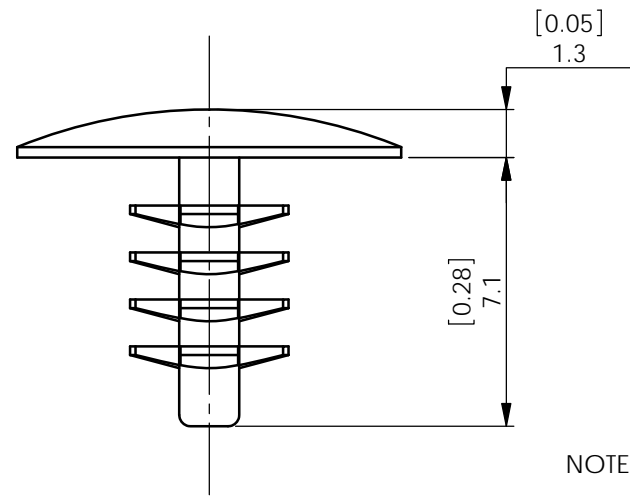


REV.	MODIFICATION.	DATE	DRN
04	CO2010058	18/02/08	SF
05	CO2010064	19/02/08	SF
06	CO2010181	11/04/08	SF



TO PRESS FIT IN A  
 Ø3.50 ± 0.05 [0.14 ± 0.002] HOLE  
 IN A 6.35 [0.25] MIN. THICK  
 PANEL



NOTE

PARTS AVAILABLE IN BLACK, ADD "BK" TO END OF PART NUMBER:

PFP-7-01BK

INFORMATION CONTAINED IN THIS DOCUMENT IS CONFIDENTIAL TO RICHCO INTERNATIONAL Co. Ltd. AND MAY NOT BE DISCLOSED OR REPRODUCED IN WHOLE OR PART WITHOUT THEIR WRITTEN CONSENT.

	ALL DIMENSIONS IN mm GENERAL TOLERANCES ±0.25 UNLESS OTHERWISE STATED 1 DECIMAL PLACE ±0.25 2 DECIMAL PLACES ± 0.10 ANGULAR ±1°	THIRD ANGLE 

MATERIAL: SEE TABLE	COLOUR: NATURAL
------------------------	--------------------

DESCRIPTION: PRESS FIT PIN	PART No: SEE TABLE
-------------------------------	-----------------------

DRG No: 375-0004	NPR No: N/A	Mass:(g) 0.9	SHEET SIZE A4
---------------------	----------------	-----------------	------------------

DRN SF	DATE 18/02/08	CHKD TC	DATE 18/02/08	SCALE NTS	SHEET No. 1 OF 1
-----------	------------------	------------	------------------	--------------	---------------------

PART NUMBER	MATERIAL
PFP-7-01	NYLON 6/6 UL 94 V2(RMS-01)
PFP-7-19	NYLON 6/6 UL 94 V0 (RMS-19)