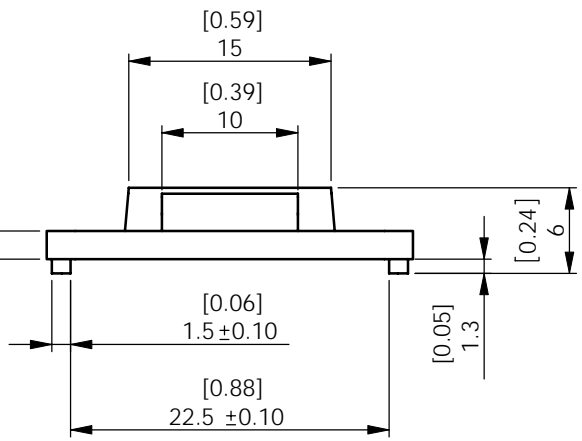
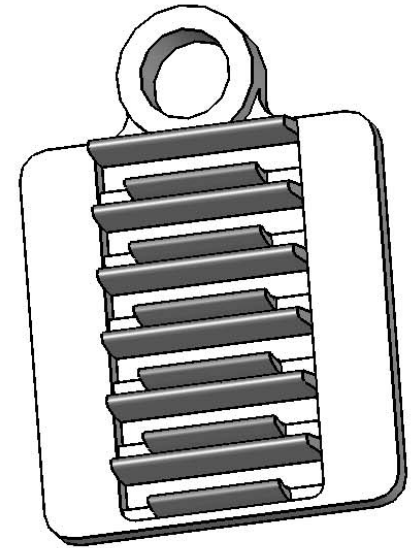
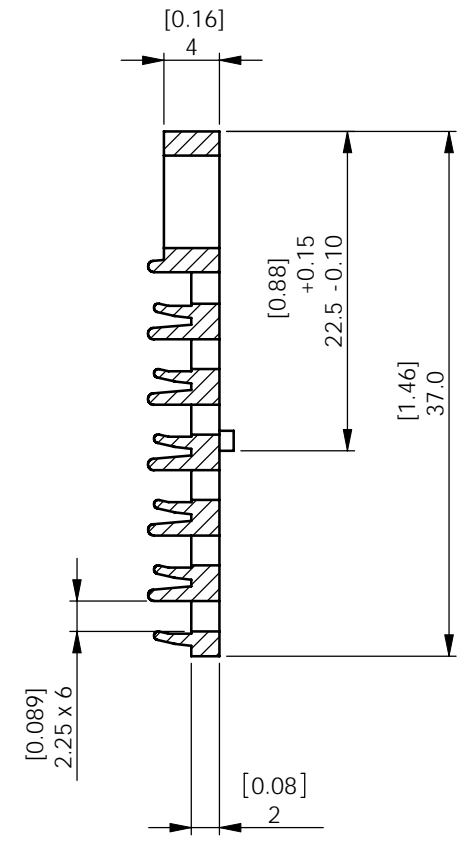
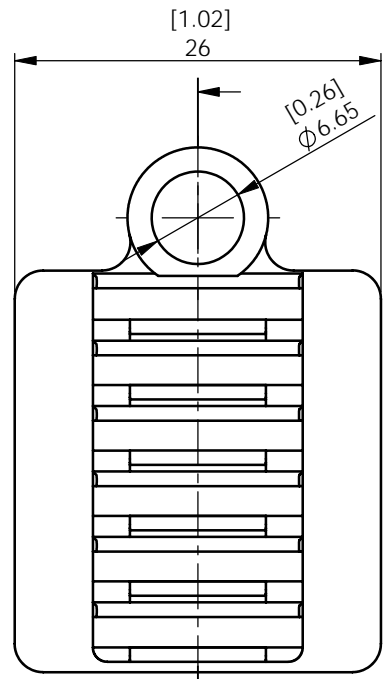



REV.	MODIFICATION.	DATE	DRN
05	CO2010589	11/03/09	SF
06	CO2010778	25/08/09	TC
07	CO2010791	27/08/09	TC

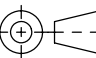


ALTERNATE UNITS FOR REFERENCE ONLY

INFORMATION CONTAINED IN THIS DOCUMENT IS CONFIDENTIAL TO RICHCO INTERNATIONAL Co. Ltd. AND MAY NOT BE DISCLOSED OR REPRODUCED IN WHOLE OR PART WITHOUT THEIR WRITTEN CONSENT.

 ALL DIMENSIONS IN mm
GENERAL TOLERANCES ±0.25
UNLESS OTHERWISE STATED
1 DECIMAL PLACE ±
2 DECIMAL PLACES ±
ANGULAR ±1°

THIRD ANGLE



MATERIAL: SEE TABLE		COLOUR: BLACK	
DESCRIPTION: SPLICE HOLDER		PART No: SEE TABLE	
DRG No: 09-025		NPR No: N/A	
SHEET SIZE A4			
DRN SF	DATE 11/03/09	CHKD TC	DATE 11/03/09
SCALE NTS	SHEET No. 1 OF 1		

PART NUMBER	MATERIAL
OFSH-T-6-GFBLK	NYLON 6/6 UL94 V-0(RMS-18 GLASS FILLED)
OFSH-T-6-19BLK	NYLON 6/6 UL94 V-0(RMS-19)
OFSH-T-6-01BLK	NYLON 6/6 UL94 V-2(RMS-01)