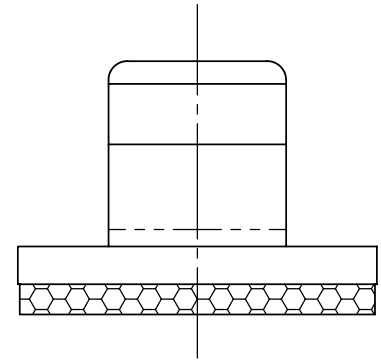
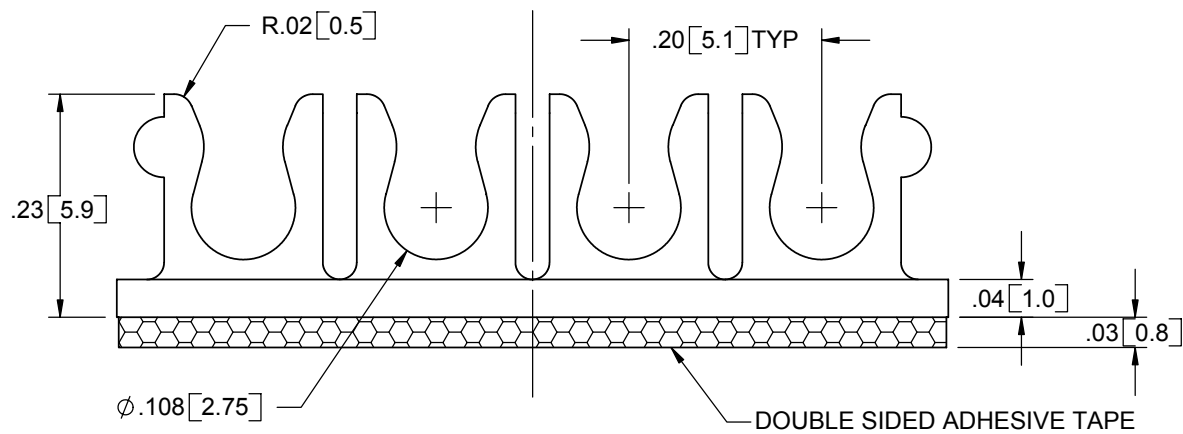


GENERAL VIEW



- NOTES:
 1. MATERIAL: RMS-19
 2. ADHESIVE BACK MATERIAL: RMS-15
 3. COLOR: NATURAL
 4. DESIGNED TO HOLD UP TO FOUR .118 [3.00] CABLES

TITLE: OPTICAL FIBER HOLDER ON BASE				DWG IN IN[MM]		FINAL		QR	
CREATED USING SOLIDWORKS		FILE #: OFHB3-4	DWN: D.J.Z.	APP: D.J.Z.		PART #		PRINT TYPE	
TOLERANCES UNLESS NOTED .XX=±.010 .XXX=±.005 FRAC.=±1/64 ANG.=±1°		SHEET: 1 OF 1	SHEET SIZE: A	DT: 10-23-02	CHKD: F.L.	OFHB3-4-19		CA	
RE: RICHCO		RICHCO, INC. ENG@RICHCO-INC.COM (773) 539-4060							

A	RELEASE FOR PRODUCTION	SM	10.24.02
REV.	DESCRIPTION	ENGR.	DATE