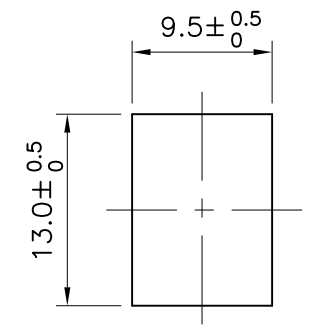
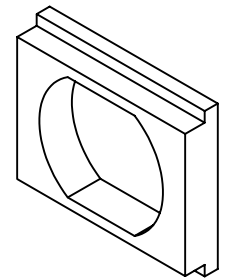
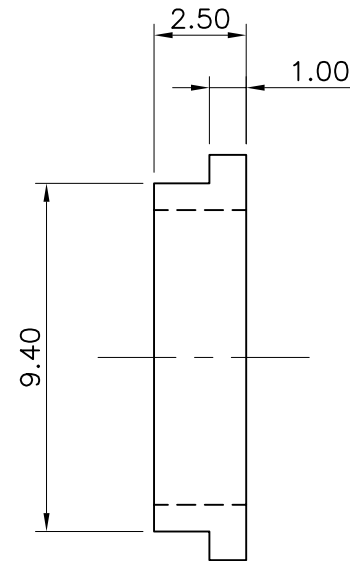
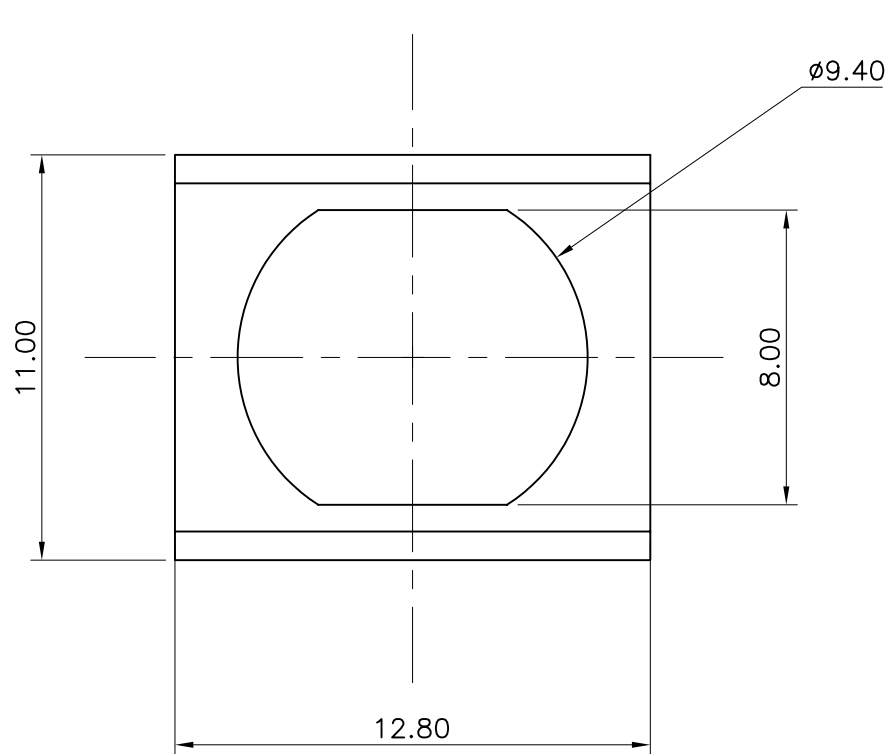


ISSUE No	REVISION	DATE	CHKD
A	NEW DWG	130201	KD



HOLE DETAIL – PANEL THICKNESS 1.4 – 3.5

- NOTES:
1. STANDARD PACK QUANTITY: 1000
 2. ALL DIMENSIONS IN mm

<small>INFORMATION CONTAINED IN THIS DOCUMENT IS CONFIDENTIAL TO RICHCO INTERNATIONAL COMPANY AND MAY NOT BE DISCLOSED OR REPRODUCED IN WHOLE OR PART WITHOUT THEIR WRITTEN CONSENT</small>	DRN	MATERIAL: NYLON 6/6 (RMS-01)						
	KD	COLOUR – NATURAL						
PART DESIGNED IN METRIC / IMPERIAL	CHKD	TITLE						
TOLERANCES – UNLESS OTHERWISE STATED	PG	ADAPTOR – SC / ST						
<table border="1"> <tr> <td>1 PLACE</td> <td>±</td> </tr> <tr> <td>2 PLACE</td> <td>± 0.25</td> </tr> </table>	1 PLACE	±	2 PLACE	± 0.25	APPD	DESCRIPTION		SIZE
1 PLACE	±							
2 PLACE	± 0.25							
ANGLES ± —°	PTG	OFCA-SC/ST-01	A4					
	SCALE	DRG No	SHEET No	DATE				
	NTS	999-9601	1 of 1	130201				