

A B C D E F

REV.	MODIFICATION.	DATE	DRN
01	NEW DWG, ECN 05-049	13/04/05	NJB
02	ECN05-038	21/07/05	OW
03	ECR05-095	31/08/05	OW
04	CO 2011286	03/09/12	SF

Material: Nylon 6/6 UL94 V2 RMS-01		Material: Nylon 6/6 UL94 V0 RMS-19	Mounting Hole Dia	Total Holding Thickness	'C'	'D' Dia	'E'	Fig
Colour: Natural	Colour: Black	Colour: Natural						
MMB-125-01	MMB-125-01BK	MMB-125-19	3.10 - 3.22	2.0 - 2.5	1.0	6.9	8.4	1
MMB-136-01	MMB-136-01BK	MMB-136-19	3.32 - 3.58	2.9 - 4.0	1.7	10.3	11.1	
MMB-187-01	MMB-187-01BK	MMB-187-19	4.61 - 4.88	2.5 - 4.0	2.2	12.7	10.9	
MMB-250-01	MMB-250-01BK	MMB-250-19	6.27 - 6.42	2.5 - 5.6	2.2	12.7	16.3	
MMB-210-01	MMB-210-01BK	MMB-210-19	5.0 - 5.4	2.5 - 4.0	3.0	14	14	2
MMB-130-01	MMB-130-01BK	MMB-130-19	3.3 - 3.4	1.6 - 3.2	1.5	7.1	9.9	3
MMB-132-01	MMB-132-01BK	MMB-132-19	5.4 - 5.6	1.6 - 3.2	1.5	9.4	11.5	

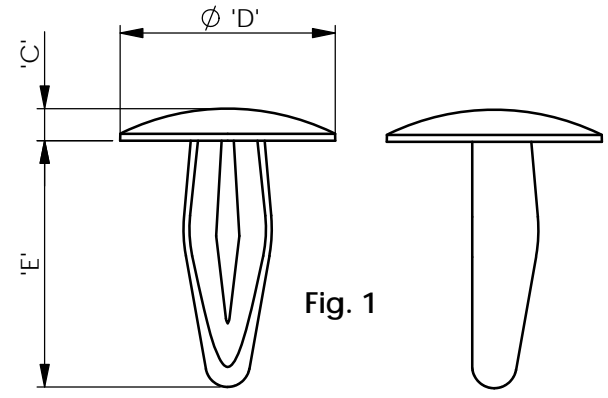


Fig. 1

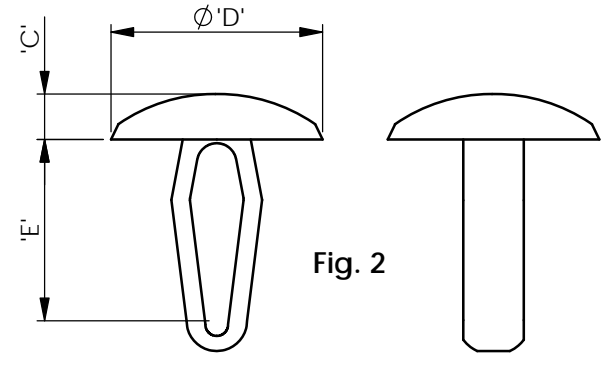


Fig. 2

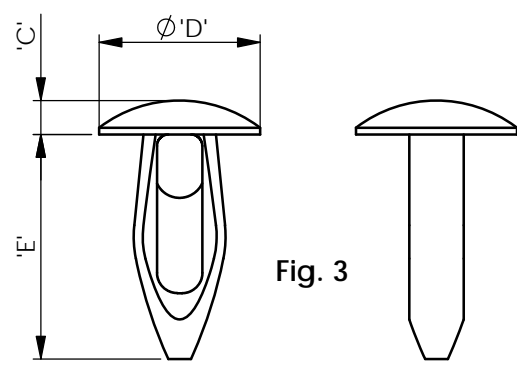
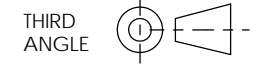


Fig. 3

INFORMATION CONTAINED IN THIS DOCUMENT IS CONFIDENTIAL TO RICHCO INTERNATIONAL Co. Ltd. AND MAY NOT BE DISCLOSED OR REPRODUCED IN WHOLE OR PART WITHOUT THEIR WRITTEN CONSENT.

RICHCO, INC.
WWW.RICHCO-INC.COM

GENERAL TOLERANCES ±0.25
UNLESS OTHERWISE STATED
1 DECIMAL PLACE ± 0.25
2 DECIMAL PLACES ± 0.1
ANGULAR ±1°



MATERIAL: SEE TABLE		COLOUR: SEE TABLE	
DESCRIPTION: MINI MOUNTING BUTTON		PART No: SEE TABLE	
DRG No: 05-043	NPR No: 2003-321	SHEET SIZE A4	
DRN NJB	DATE 13/04/05	CHKD TC	DATE 29/8/12
SCALE NTS		SHEET No. 1 OF 1	