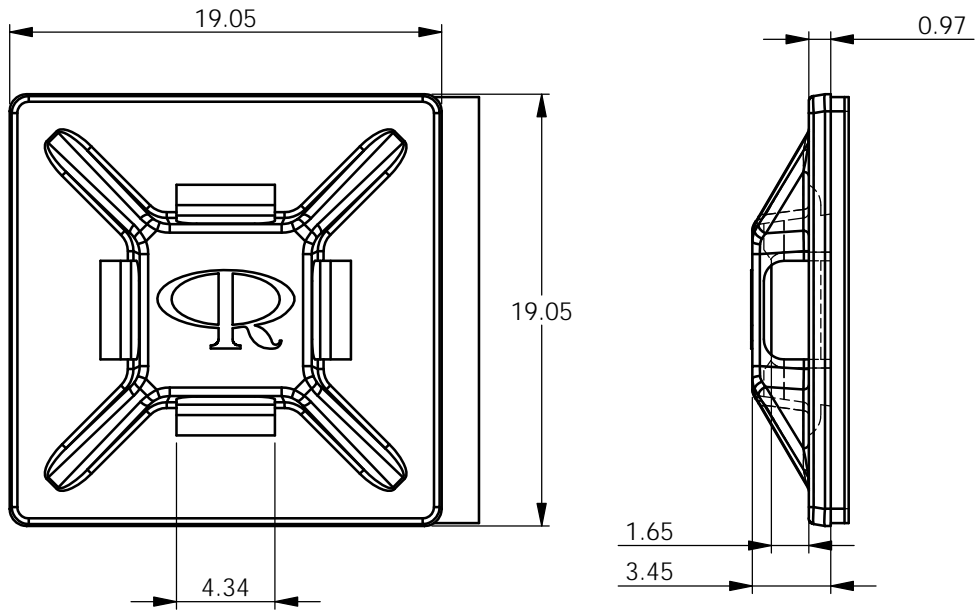


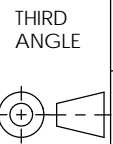
REV.	MODIFICATION.	DATE	DRN
01	CO2011087	21/02/11	SF



INFORMATION CONTAINED IN THIS DOCUMENT IS CONFIDENTIAL TO RICHCO INTERNATIONAL Co. Ltd. AND MAY NOT BE DISCLOSED OR REPRODUCED IN WHOLE OR PART WITHOUT THEIR WRITTEN CONSENT.

**RICHCO, INC.**  
WWW.RICHCO-INC.COM

ALL DIMENSIONS IN mm  
GENERAL TOLERANCES  $\pm 0.25$   
UNLESS OTHERWISE STATED  
1 DECIMAL PLACE  $\pm$   
2 DECIMAL PLACES  $\pm$   
ANGULAR  $\pm 1^\circ$



MATERIAL: ABS, RMS-02 COLOUR: WHITE		
PART No.	CABLE TIE ACCEPTED	ADHESIVE
FTH-40	ALL RG CABLE TIES UP TO SIZE RG-210/310	NONE
FTH-40A-RT		0.8 THICK DOUBLE SIDED ACRYLIC ADHESIVE TAPE, RMS-15
FTH-40A1-RT		0.8 THICK DOUBLE SIDED RUBBER ADHESIVE TAPE, RMS-102

MATERIAL: SEE TABLE		COLOUR: SEE TABLE	
DESCRIPTION: FLAT TIE HOLDER		PART No: SEE TABLE	
DRG No: 011-034	NPR No:	SHEET SIZE A4	
DRN SF	DATE 21/02/11	CHKD JK	DATE 21/02/11
SCALE NTS	SHEET No. 1 OF 1		