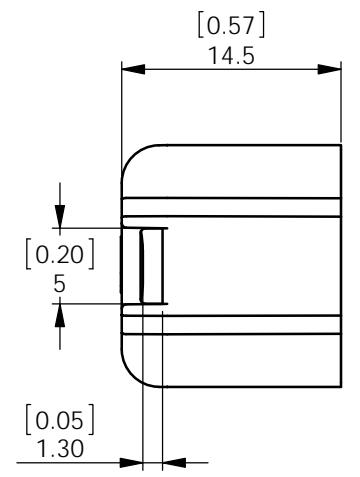
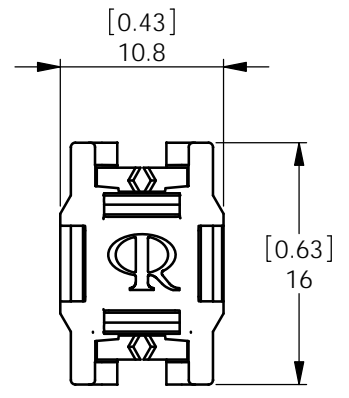
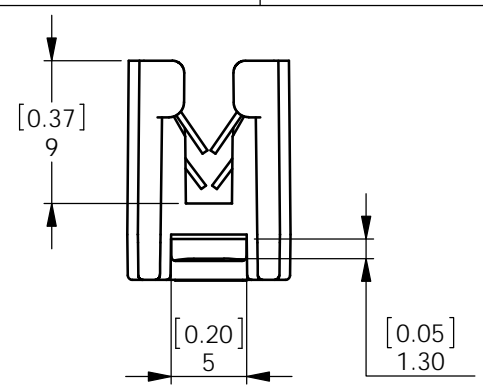
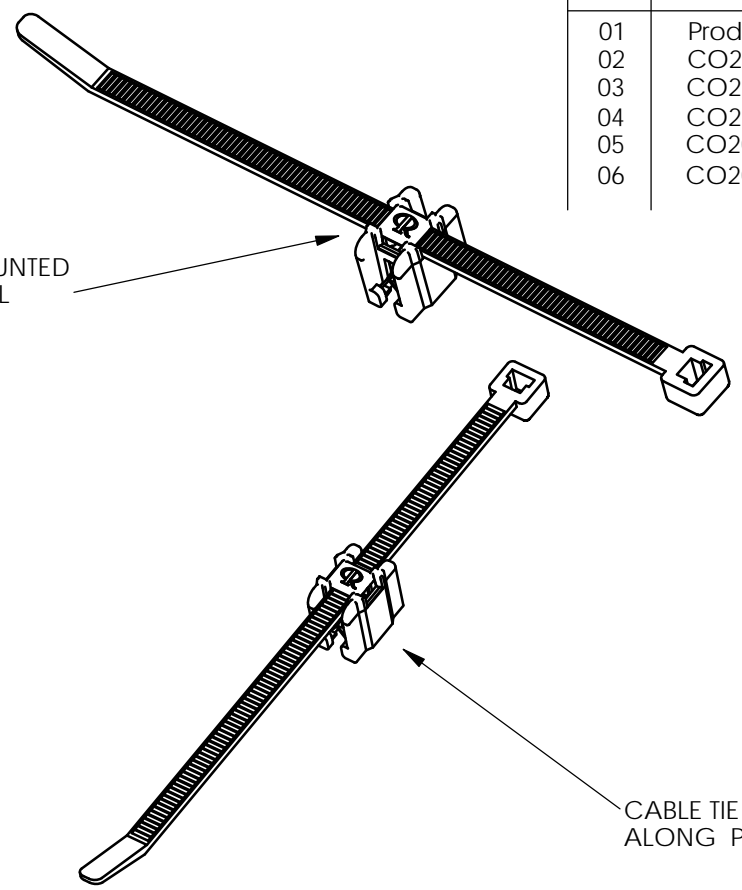


REV.	MODIFICATION.	DATE	DRN
01	Production Release	03/01/08	TC
02	CO2010469	11/11/08	SF
03	CO2010803	07/09/09	MT
04	CO2011065	17/02/11	SF
05	CO2011252	11/04/12	SF
06	CO2011259	11/05/12	SF



CABLE TIE MOUNTED  
ACROSS PANEL

CABLE TIE MOUNTED  
ALONG PANEL



MATERIAL: METAL CLIP:STAINLESS STEEL TYPE '2B' BRIGHT FINISH, (RMS-365) GRADE 304(1.4301 THICK),COLOUR:BLACK			
PART NUMBER	PANEL THICKNESS	RETENTION FORCE	MATERIAL HOUSING
FTH-31-01	0.8 - 3[.03 - .12]	TO STEEL PANEL: Minimum 25N 0.8 [0.03] Panel Minimum 45N 3 [0.12] Panel	NYLON 6/6 UL94-V2(RMS-01)
FTH-31-UVB		TO PLASTIC PANEL: Minimum 150N 2.4 - 3 [0.09 - 0.12]	NYLON 6/6 UV STABILIZED(RMS-046)
CAN BE ASSEMBLED WITH CABLE TIES BY SPECIAL ORDER			
*HOUSING ALSO AVAILABLE IN UL94 V-0 NYLON 6/6(RMS-19) AND UL94 V-2 HEAT STABILIZED NYLON 6/6(RMS-47) BY SPECIAL ORDER. TO ORDER REPLACE -UVB WITH -19 OR -47 RESPECTIVELY.			

INFORMATION CONTAINED IN THIS DOCUMENT IS CONFIDENTIAL TO RICHCO INTERNATIONAL Co. Ltd. AND MAY NOT BE DISCLOSED OR REPRODUCED IN WHOLE OR PART WITHOUT THEIR WRITTEN CONSENT.

<b>RICHCO, INC.</b> <a href="http://WWW.RICHCO-INC.COM">WWW.RICHCO-INC.COM</a>	<small>ALL DIMENSIONS IN mm [inch]  GENERAL TOLERANCES: ± 0.25[.0098]  UNLESS OTHERWISE STATED  1 DECIMAL PLACE ± 0.25[.0098]  2 DECIMAL PLACES ± 0.10[.0039]  ANGULAR ± 1°</small>	<b>THIRD ANGLE</b> 
	MATERIAL: <b>SEE TABLE</b> COLOR: <b>SEE TABLE</b>	

DESCRIPTION: <b>EDGE CLIP TIE HOLDER</b>		PART No: <b>SEE TABLE</b>
DRG No: <b>07-073</b>	NPR No: <b>2005-205-3</b>	SHEET SIZE <b>A4</b>

DRN <b>TC</b>	DATE <b>10/01/06</b>	CHKD <b>JC</b>	DATE <b>31/07/07</b>	SCALE <b>NTS</b>	SHEET No. <b>1 OF 1</b>
---------------	----------------------	----------------	----------------------	------------------	-------------------------