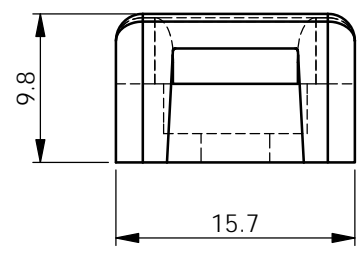
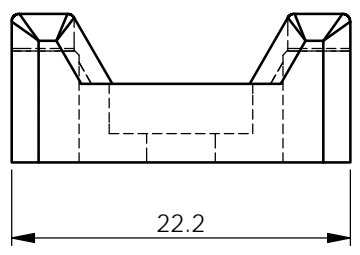
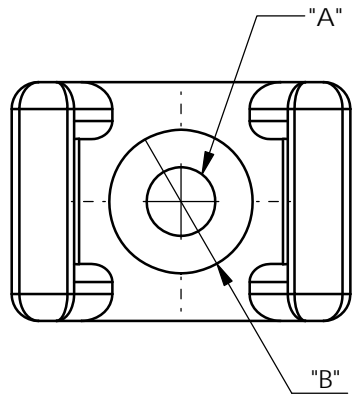


MATERIAL: UL94 V-2 NYLON 6/6, RMS-01* COLOUR: NATURAL					
PART No.	Ø "A"	Ø "B"	CABLE TIE ACCEPTED	MOUNTING METHODS	UL94 V-2 UV STABILIZED NYLON 6/6, RMS-46 COLOUR: BLACK
FTH-14R-01	5.2	9.5 C'BORE	ALL RG CABLE TIES UP TO SIZE RG-231/331	M5 SCREW OR RIVET(SEE TABLE)	SPECIAL ORDER -UVB-M
FTH-14S-01	6.6	12.5 C'BORE		M6	
*AVAILABLE IN UL94 V-0 BY SPECIAL ORDER. TO ORDER REPLACE -01 WITH -19.					

REV.	MODIFICATION.	DATE	DRN
A	NEW DRAWING	21/09/98	RMB
B	SCN03-137	06/11/03	NB
03	ECR07-107	02/07/07	OW
04	ECR07-108	02/07/07	SF
05	CO2011076	21/02/11	SF



MOUNTING RIVETS FOR FTH-14R-01		
RIVET No.	HOLE Ø	PANEL THICKNESS
SR-5055	5.1	0.5 - 1.5
SR-5065		1.2 - 2.2
SR-5075		2.2 - 3.2
SR-5085		3.2 - 4.2
SR-5095		4.2 - 5.2
SR-5105		5.2 - 6.2

INFORMATION CONTAINED IN THIS DOCUMENT IS CONFIDENTIAL TO RICHCO INTERNATIONAL Co. Ltd. AND MAY NOT BE DISCLOSED OR REPRODUCED IN WHOLE OR PART WITHOUT THEIR WRITTEN CONSENT.

RICHCO, INC.
WWW.RICHCO-INC.COM

GENERAL TOLERANCES ±0.25 [0.010]
UNLESS OTHERWISE STATED
1 DECIMAL PLACE ±
2 DECIMAL PLACES ±
ANGULAR ±1°

THIRD ANGLE

MATERIAL: SEE TABLE COLOUR: SEE TABLE

DESCRIPTION: FLAT TIE HOLDER PART No: SEE TABLE

DRG No: 7302401 NPR No: 1998-356 SHEET SIZE A4

DRN OW DATE 02/07/07 CHKD SF DATE 02/07/07 SCALE NTS SHEET No. 1 OF 1