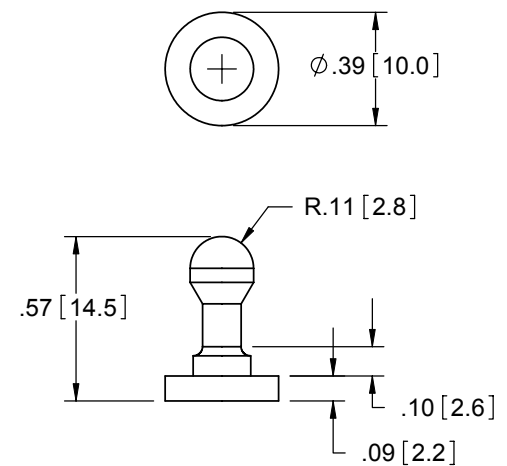
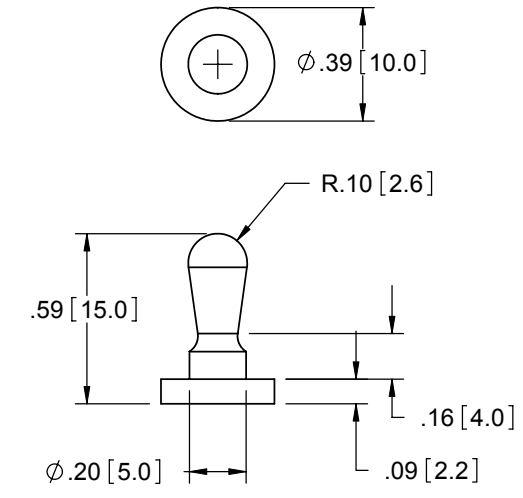


P/N: CS-113-1 CATCH
 1. MATERIAL: SUPERTOUGH NYLON 6/6 (RMS-73).
 2. COLOR: BLACK.

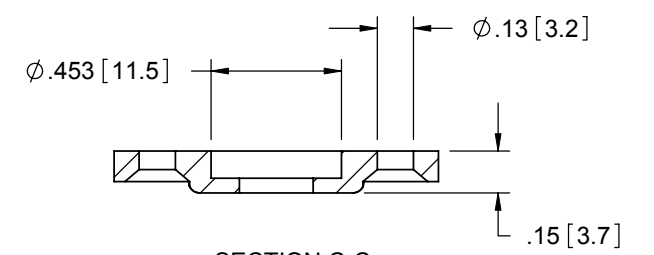
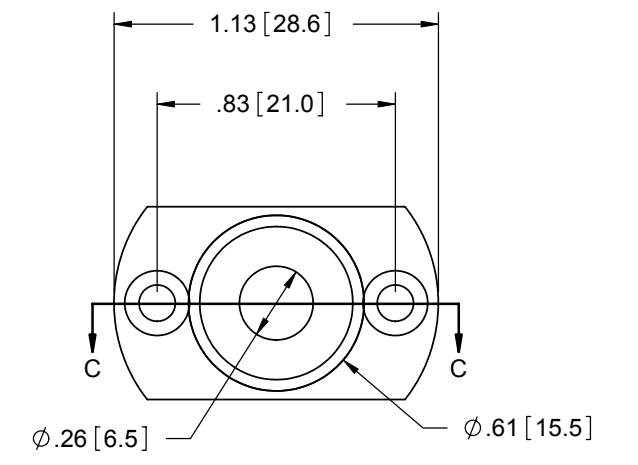
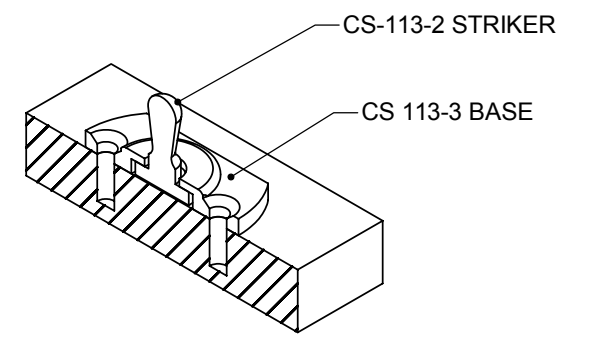
P/N: CS-113-4 CATCH
 1. MATERIAL: NYLON 6/6 (RMS-159).
 2. COLOR: NATURAL.



P/N: CS-113-5 STRIKER
 1. MATERIAL: NYLON 6/6 (RMS-01).
 2. COLOR: NATURAL.



P/N: CS-113-2 STRIKER
 1. MATERIAL: SUPERTOUGH NYLON 6/6 (RMS-73).
 2. COLOR: BLACK.



P/N: CS-113-3 BASE
 1. MATERIAL: ACETAL (RMS-39).
 2. COLOR: BLACK.

REV.	DESCRIPTION	ENGR.	DATE
E	SEE ECN #1312 FOR CHANGES	SK	04/11/07
D	ADDED CS-113-5 PART, SEE ECN 866	SM	10/12/04
C	SEE ECN #801 FOR CHANGES	SM	06/14/04
B	SEE ECN #521 FOR CHANGES	SM	11.14.02
A	UPDATED PRINT AND CHANGED FILE NO.	SM	03.12.02

TITLE: CATCH AND STRIKERS				DWG IN IN [MM]		FINAL	
CREATED USING SOLIDWORKS		FILE #: CS SERIES	DWN: J.B	APP: -	PART #		
TOLERANCES UNLESS NOTED .XX=±.010 .XXX=±.005 FRAC.=±1/64 ANG.=±1°		SHEET: 1 OF 1 SHEET SIZE: B	DT: 08/20/96	CHKD: -	SEE DRAWING		
		RE: RICHCO, INC	RICHCO, INC. ENG@RICHCO-INC.COM (773) 539-4060		PRINT TYPE CA		