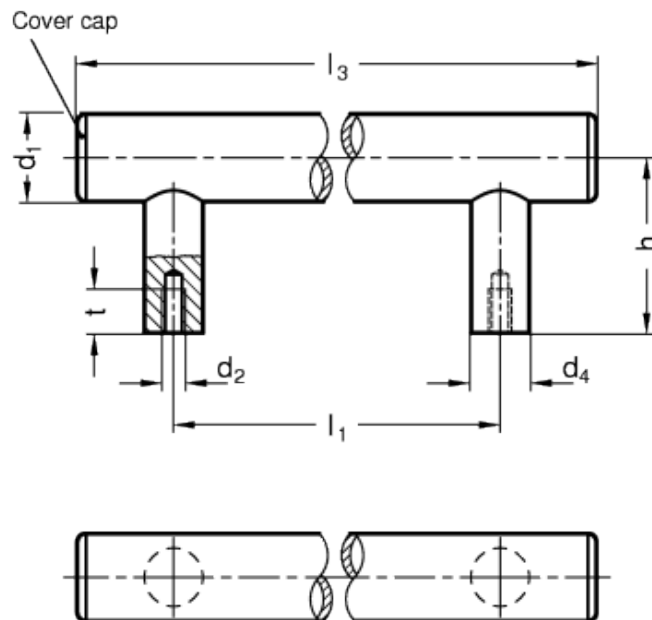


# GN 666.5

Tubular handles



INOX  
Stainless Steel



## technical informations

### Tube

AISI 304 stainless steel, ground matte shiny finish.

### Handle shanks

AISI 304 stainless steel, ground matte shiny finish.

### Tube end caps

- Version K: Plastic (Polyamide A), black matt.
- Version E: AISI 304 stainless steel.

## Grub screw

AISI 304 stainless steel DIN 914-M5.

*Special executions available on request (For sufficient quantities)*

Different lengths.

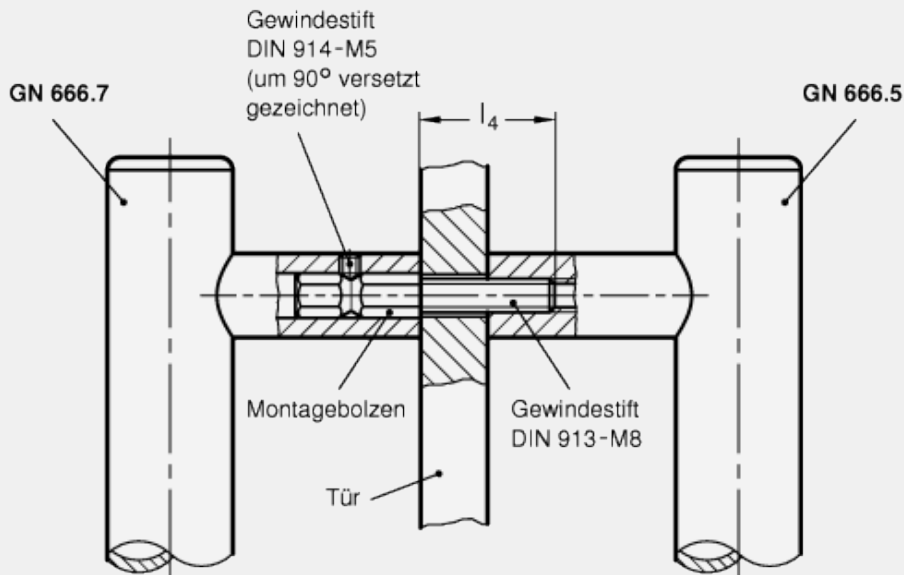
### Features and applications

For a mounting of stainless steel-tubular handles GN 666.5 (mounting from the back) the stud is first screwed in from the machine side with the threaded pin DIN 913-M8x25 (included) and then the handle is pushed on and secured with the grub screw DIN 914-M5.

Type E of Stainless Steel-Tubular handles GN 666.5 is completely made of A2-Stainless Steel.

### Examples of application

Tubular handles GN 666.5 allow the mounting of a pair of handles in opposite position. This method could be used on doors (double handle). Generally a modification of the thread length  $l_4$  is required for this. The included threaded pin DIN 913-M8x25-A2 of the mounting stud needs to be replaced by a longer threaded pin, too. Handles with a modified thread length  $l_4$  are available on request.



Standard Elements	Main dimensions					Mounting holes		Weight
Description	$d_1$	$l_1 \pm 0.5$	$d_4$	$h$	$l_3$	$d_2$	$t_{min.}$	$g$
GN 666.5-30-M6-200-E	30	200	20	60	265	M6	15	600
GN 666.5-30-M6-200-K	30	200	20	60	265	M6	15	600
GN 666.5-30-M6-250-E	30	250	20	60	315	M6	15	680
GN 666.5-30-M6-250-K	30	250	20	60	315	M6	15	680
GN 666.5-30-M6-300-E	30	300	20	60	365	M6	15	450
GN 666.5-30-M6-300-K	30	300	20	60	365	M6	15	-
GN 666.5-30-M6-400-E	30	400	20	60	465	M6	15	650
GN 666.5-30-M6-400-K	30	400	20	60	465	M6	15	650
GN 666.5-30-M6-500-E	30	500	20	60	565	M6	15	800
GN 666.5-30-M6-500-K	30	500	20	60	565	M6	15	800
GN 666.5-30-M6-600-E	30	600	20	60	665	M6	15	1000
GN 666.5-30-M6-600-K	30	600	20	60	665	M6	15	1000

GN 666.5-30-M8-200-E	30	200	20	60	265	M8	15	620
GN 666.5-30-M8-200-K	30	200	20	60	265	M8	15	620
GN 666.5-30-M8-250-E	30	250	20	60	315	M8	15	715
GN 666.5-30-M8-250-K	30	250	20	60	315	M8	15	715
GN 666.5-30-M8-300-E	30	300	20	60	365	M8	15	-
GN 666.5-30-M8-300-K	30	300	20	60	365	M8	15	500
GN 666.5-30-M8-400-E	30	400	20	60	465	M8	15	750
GN 666.5-30-M8-400-K	30	400	20	60	465	M8	15	750
GN 666.5-30-M8-500-E	30	500	20	60	565	M8	15	900
GN 666.5-30-M8-500-K	30	500	20	60	565	M8	15	900
GN 666.5-30-M8-600-E	30	600	20	60	665	M8	15	1050
GN 666.5-30-M8-600-K	30	600	20	60	665	M8	15	1050



STANDARD MACHINE ELEMENTS WORLDWIDE