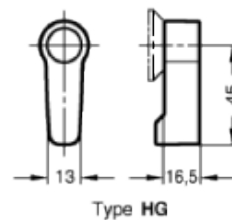
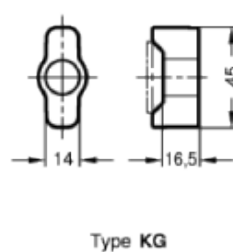
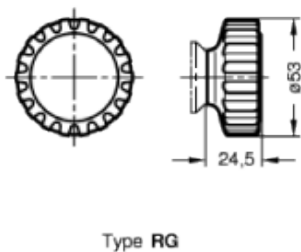
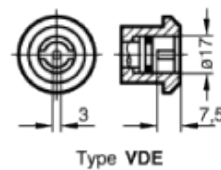
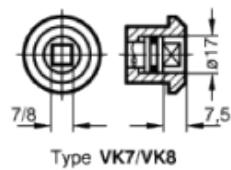
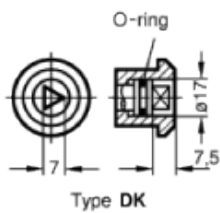
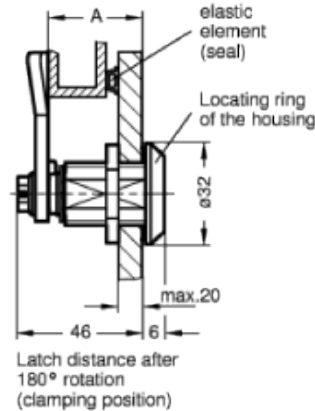
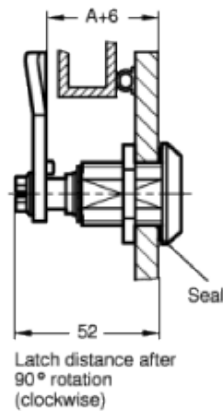
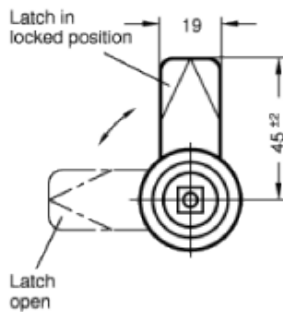


# GN 516

Rotary clamping latches



technical informations  
 Lock housing  
 Zinc alloy die-cast.

### Locating ring

Zinc alloy die-cast, epoxy resin coating RAL 9005 black matte finish.

### Latch

Zinc-plated steel, blue passivated.

### Knob, Wrench, Lever

Polyamide based (PA), black, matt finish.

### Cover cap

Polyamide based (PA), Cover cap light grey, matte.

### Accessories

Key GN 119.2

### Standard executions available

- Version DK: Operation with triangular spindle (DK7).
- Version VK7: Operation with square spindle A/F7.
- Version VK8: Operation with square spindle A/F8.
- Version VDE: Operation with double bit.
- Version RG: Operation with knurled knob GN 7336.
- Version KG: Operation with wrench.
- Version HG: Operation with lever.

### Assembly instructions

The rotary clamping latches GN 516 have a closing mechanisms which translates the rotary movement of the operating element (key) into a 90° turn and then into a 6mm linear stroke. This mechanism is designed for common applications such as making a tight and vibration-proof interlock in the end position (retaining position) in connection with an elastic element (door / casing seal).

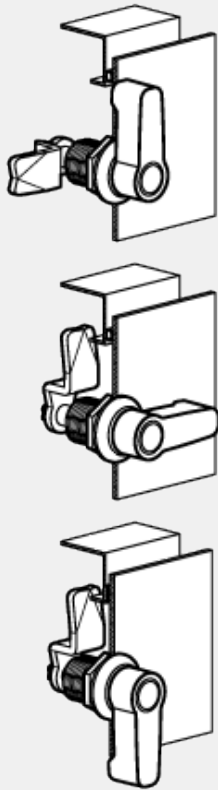
### Features and applications

22 latches with different cranks will cover latch spacings (retaining zones) of between 17 and 63 mm. If the measured retaining position lies between two latch spacings A, the next smaller value must be selected. The rotary clamping latches GN 516 are supplied with the latch enclosed loose.

### Assembly instructions

1. Latch in starting position.
2. The first 90° turn of the actuator / key moves the latch into the usual locking position.
3. Turning the actuator further by another 90° will lift the latch in linear direction by 6 mm, pulling the door leaf against the frame or the seal and generating a vibration-proof lock.

Max. torque: 4,5 Nm  
Max. axial force: 340 N  
Max. static load 340 N

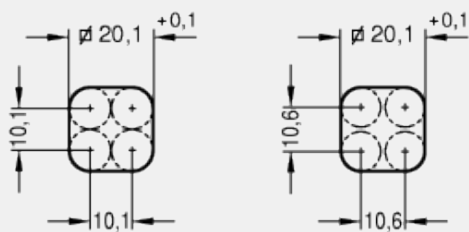
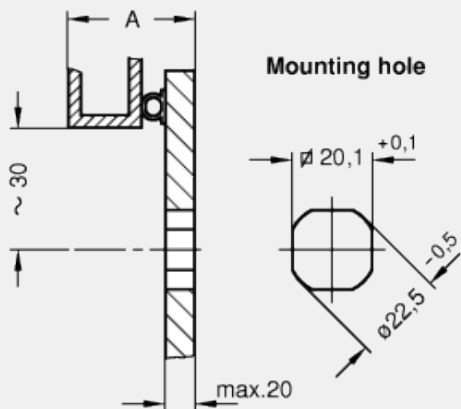


*Installation instruction*

For installation, set a bore diameter in the door as shown in the outline drawing. Once assembled, the rotary clamping latch is pushed through the bore diameter from the front. The hexagonal nut can then be pushed over the latch from the back and bolted in place.

The installation bore diameter in the door leaf is usually generated by punching or laser application in series production. For small series and steel sheets below 2 mm thickness, the sheet metal punches GN 123 are the tool of choice (see main catalogue page 881).

The installation bore diameter can also be set by drilling / milling.



Standard Elements	Main dimension	Weight #
Description	A	g
GN 516-*-17	17	109
GN 516-*-19	19	109
GN 516-*-21	21	109
GN 516-*-23	23	109
GN 516-*-26	26	109
GN 516-*-27	27	109
GN 516-*-29	29	109
GN 516-*-31	31	109
GN 516-*-33	33	109
GN 516-*-35	35	109
GN 516-*-37	37	109
GN 516-*-39	39	109
GN 516-*-41	41	109
GN 516-*-43	43	109
GN 516-*-45	45	109
GN 516-*-47	47	109
GN 516-*-49	49	109
GN 516-*-51	51	109
GN 516-*-53	53	109
GN 516-*-55	55	109
GN 516-*-58	58	109
GN 516-*-63	63	109

\*Complete the description of the standard item needed by adding DK (with triangular spindle (DK7)), VK7 (with square spindle A/F7), VK8 (with square spindle A/F8) or VDE (with double bit VDE5).# VDE version weight. The weight of the versions DK, VK and VK8 is 102 g.

Standard elements	Main dimensions	Weight #
Description	A	g
GN 516-*-17	17	143
GN 516-*-19	19	143
GN 516-*-21	21	143
GN 516-*-23	23	143
GN 516-*-26	26	143
GN 516-*-27	27	143
GN 516-*-29	29	143
GN 516-*-31	31	143
GN 516-*-33	33	143
GN 516-*-35	35	143
GN 516-*-37	37	143
GN 516-*-39	39	143
GN 516-*-41	41	143
GN 516-*-43	43	143
GN 516-*-45	45	143
GN 516-*-47	47	143
GN 516-*-49	49	143
GN 516-*-51	51	143
GN 516-*-53	53	143
GN 516-*-55	55	143
GN 516-*-58	58	143
GN 516-*-63	63	143

\*Complete the description of the standard item needed by adding: RG (with knurled knob GN 7336), KG (with wrench) or HG (with lever)# RG version weight. The weight of the versions KG and HG is 123 g.



STANDARD MACHINE ELEMENTS WORLDWIDE