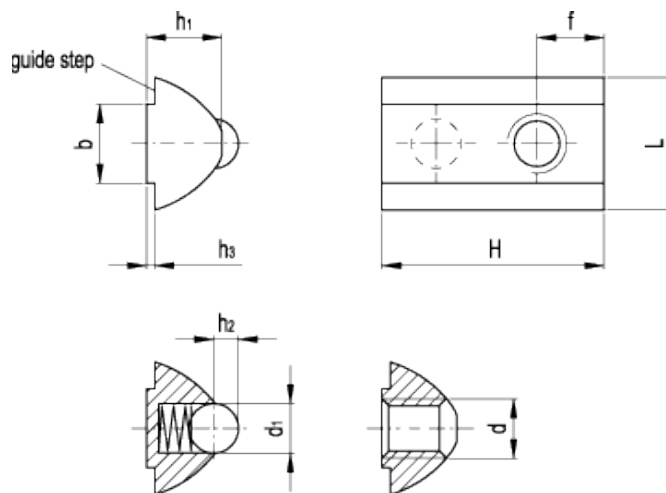


GN 506

Dowels for T-slots with guide and no-slip device



technical informations

Material

Zinc-plated steel.

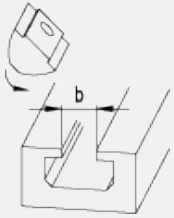
Ball and spring

Stainless steel.

Features and applications

T-nuts with guide step GN 506 can be turned into position, i.e. they can be inserted at any point along the slot. The spring loaded ball will prevent an unwanted movement of the nut in the slot which is highly desirable on a bed with the T-slots in a vertical position. As an example, T-nuts GN 506 can be used to fit hinges to commercially available extrusion rails.

Application example



Standard Elements	Main dimensions									For slot width	Weight
Description	a	d ₁	d ₂	e ₁	e ₂	h ₁	h ₂	h ₃	m	a	g
GN 506-5-M3	5	M3	7.7	12	3	4.5	0.7	0.6	4	5	2
GN 506-5-M4	5	M4	7.7	12	3	4.5	0.7	0.6	4	5	2
GN 506-5-M5	5	M5	7.7	12	3	4.5	0.7	0.6	4	5	2
GN 506-6-M3	6	M3	10.5	17	3.5	6.8	0.5	0.8	5	6	6
GN 506-6-M4	6	M4	10.5	17	3.5	6.8	0.5	0.8	5	6	5
GN 506-6-M5	6	M5	10.5	17	3.5	6.8	0.5	0.8	5	6	5
GN 506-6-M6	6	M6	10.5	17	3.5	6.8	0.5	0.8	5	6	5
GN 506-8-M4	8	M4	13.4	22	5	7.6	1.7	0.85	6.8	8	11
GN 506-8-M5	8	M5	13.4	22	5	7.6	1.7	0.85	6.8	8	11
GN 506-8-M6	8	M6	13.4	22	5	7.6	1.7	0.85	6.8	8	10
GN 506-8-M8	8	M8	13.4	22	5	7.6	1.7	0.85	6.8	8	9



STANDARD MACHINE ELEMENTS WORLDWIDE