

GN 1366

Hinges

Steel profile, for welding



Specification

Type

- Type **A**: without bores

Steel profile **ST**

rolled, scaled

or drawn, blank **BL**

Pin

Steel

Information

Hinges GN 1366 are made of rolled or drawn steel profiles and are very robust.

Type A is fastened via welding or holes created by the customer.

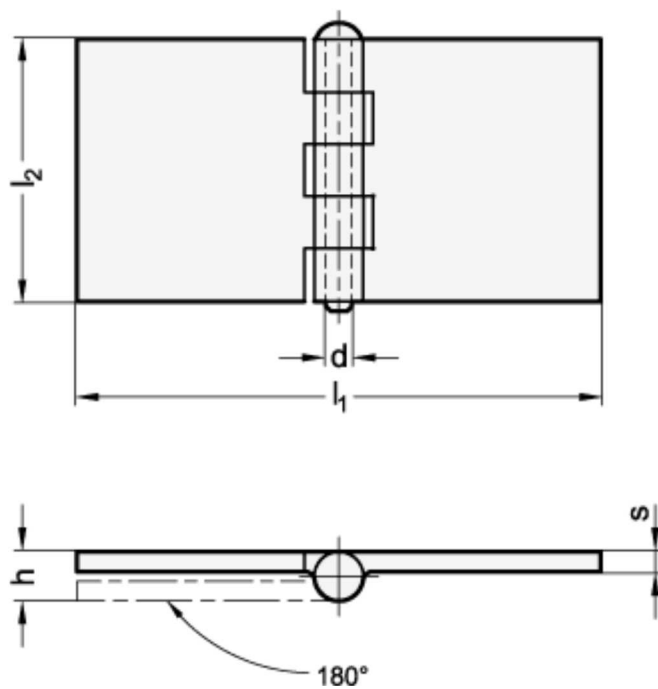
Thanks to the standard dimensions, special application-specific solutions can be realized even in relatively small quantities.

Technical information

- [Load rating information of hinges](#)

On request

- with loose pin
- with brass pin
- with lubricating nipple
- with holes
- other dimensions
- other surface types



GN 1366

Description	l_1	l_2	d	h	s	Weight
GN 1366-ST-60-30-A-BL	60	30	6	12	5	87
GN 1366-ST-60-40-A-BL	60	40	6	12	5	113
GN 1366-ST-60-50-A-BL	60	50	6	12	5	140
GN 1366-ST-60-60-A-BL	60	60	6	12	5	168
GN 1366-ST-120-30-A-BL	120	30	6	12	5	200
GN 1366-ST-120-40-A-BL	120	40	6	12	5	210
GN 1366-ST-120-50-A-BL	120	50	6	12	5	263
GN 1366-ST-120-60-A-BL	120	60	6	12	5	280
GN 1366-ST-160-30-A-BL	160	30	6	12	5	300
GN 1366-ST-160-40-A-BL	160	40	6	12	5	310
GN 1366-ST-160-50-A-BL	160	50	6	12	5	337
GN 1366-ST-160-60-A-BL	160	60	8	15	6	495
GN 1366-ST-160-80-A-BL	160	80	8	15	6	644
GN 1366-ST-160-100-A-BL	160	100	8	16	7	969
GN 1366-ST-200-80-A-BL	200	80	8	15	6	800
GN 1366-ST-200-100-A-BL	200	100	8	16	7	1200
GN 1366-ST-220-100-A-BL	220	100	13	26	10	1950