

## Stainless Steel-Sheet metal hinges

for welding

### SPECIFICATION

#### Type

- Type **A**: without bores

Stainless Steel **NI**

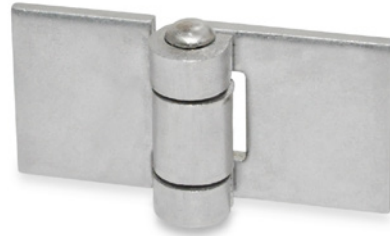
- AISI 304

- blank **BL**

Pin

- Stainless Steel AISI 304

- riveted



### INFORMATION

Stainless Steel-Sheet metal hinges GN 1362 are distinguished by their universally compatible dimensions. The materials used also permit applications in aggressive environments.

Type A is fastened via welding or holes created by the customer.

Thanks to the standard dimensions, special application-specific solutions can be realized even in relatively small quantities.

### TECHNICAL INFORMATION

- Stainless Steel characteristics (see page A26)

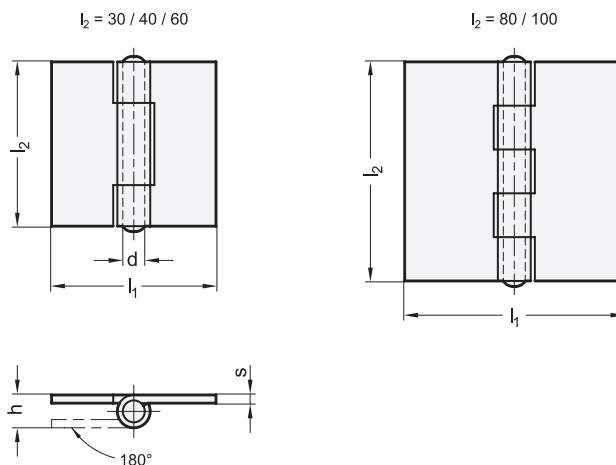
- Load rating information of hinges (see page A40)

### ON REQUEST

- other dimensions

- with bores

- other surface types



### GN 1362

STAINLESS STEEL

Description	l1	l2	d	h	s	⚖️
GN 1362-NI-60-30-A-BL	60	30	6	12	3	60
GN 1362-NI-60-40-A-BL	60	40	6	12	3	80
GN 1362-NI-60-60-A-BL	60	60	6	12	3	90
GN 1362-NI-80-30-A-BL	80	30	6	12	3	120
GN 1362-NI-80-40-A-BL	80	40	6	12	3	170
GN 1362-NI-80-80-A-BL	80	80	6	12	3	200
GN 1362-NI-100-100-A-BL	100	100	6	12	3	300