

## Dismountable split set collars

### Clamping assembly, technopolymer

#### MATERIAL

Glass-fibre reinforced polyamide based (PA) technopolymer.

#### SCREWS AND NUTS

Two cylindrical head screws with hexagon socket and AISI 316 stainless steel nuts supplied assembled with the two semi-split set collars.

#### FEATURES AND APPLICATIONS

- Suitable for assembly on idle shafts as end stops, for fixing end limit switches, pulleys, supporting pins or other components.
- They avoid damage to the surfaces of the shaft.
- Lightness and high mechanical resistance.
- Anticorrosive material: possibility of use even in the presence of liquids.
- Resistant to several cleaning cycles with solvents and other chemical agents, for this reason they can be used for applications in the pharmaceutical or food industry.



#### TECHNICAL DATA

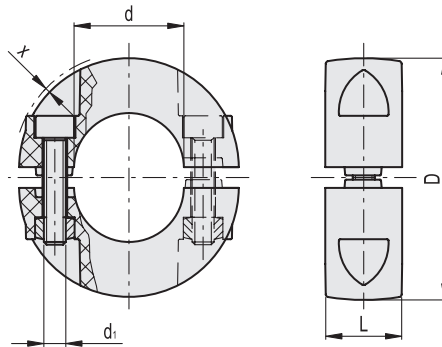
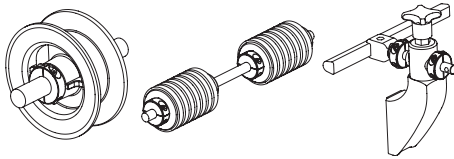
Assembly on h7 + h11 tolerance round shafts.

ELESA Original design

#### SPECIAL EXECUTIONS ON REQUEST

Dismountable split set collars with keyway DIN 6885/1 (see page).

#### Application examples



Code	Description	D	L	d	d1	x*	Max. tightening torque [Nm]	
319901	ANPS-12	35	13	12	M4	1	2	17
319911	ANPS-14	35	13	14	M4	1	2	16
319921	ANPS-16	35	13	16	M4	1	2	15
319931	ANPS-18	40	14	18	M4	0.75	2	20
319941	ANPS-20	40	14	20	M4	0.75	2	19
319945	ANPS-22	50	14	22	M5	2.40	3	33
319951	ANPS-25	50	14	25	M5	2.40	3	31
319961	ANPS-30	50	14	30	M5	2.40	3	29
319971	ANPS-35	65	14	35	M5	0.15	3	44
319981	ANPS-40	65	14	40	M5	0.15	3	39
319986	ANPS-50	84	18	50	M6	-	5	69
319991	ANPS-70	104	18	70	M6	-	5	83

\* Max protrusion of the screw head.

