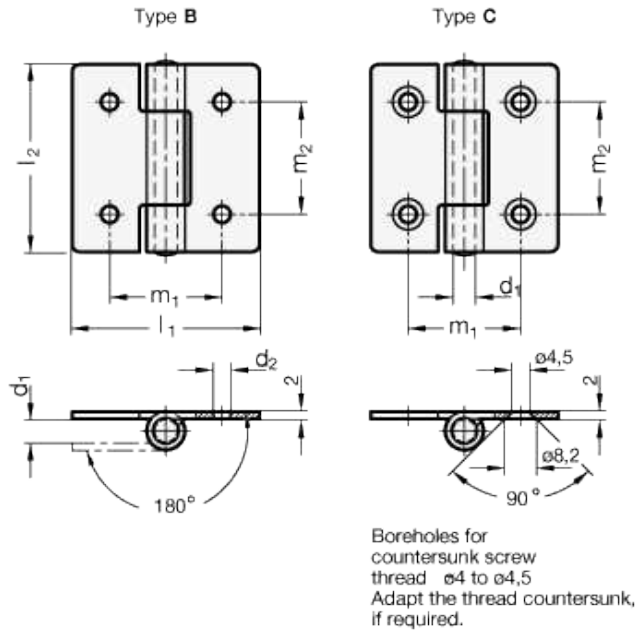


GN 136

Sheet metal hinges



technical informations

Material

Zinc-plated steel, blue passivated.

Pin

AISI 304 stainless steel.

Assembly

- Type **B**: with bores for cylinder head screws / pan head screws.
- Type **C**: with bore for countersunk screws.

Features and applications

Sheet metal hinges GN 136 are low-cost designs for low-load applications.

Standard Elements	Main dimensions					Through holes	Weight
Description	l_1	l_2	d_1	m_1	m_2	d_2	g
GN 136-40-40-ST-B	40	40	4	25	25	4.2	33
GN 136-50-50-ST-B	50	50	6	30	30	5.2	60
GN 136-60-60-ST-B	60	60	6	36	36	5.2	82
GN 136-40-40-ST-C	40	40	4	25	25	4.2	32
GN 136-50-50-ST-C	50	50	6	30	30	5.2	60
GN 136-60-60-ST-C	60	60	6	36	36	5.2	81



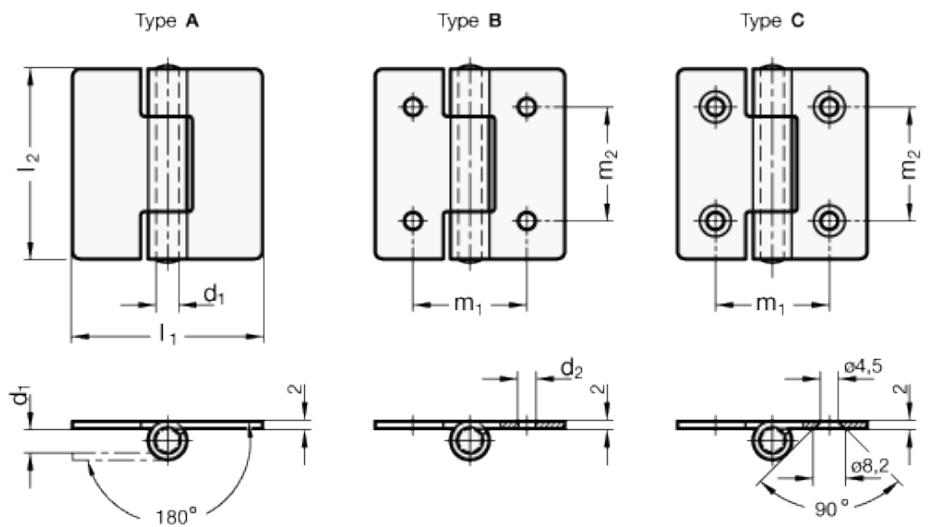
STANDARD MACHINE ELEMENTS WORLDWIDE

GN 136-NI

Sheet metal hinges



INOX
Stainless Steel



Boreholes for
countersunk screw
thread- $\varnothing 4$ to $\varnothing 4,5$
Adapt the thread countersunk,
if required.



technical informations

Material

AISI 304 stainless steel.

Pin

AISI 304 stainless steel.

Assembly

- Type **B**: with bores for cylinder head screws / pan head screws.
- Type **C**: with bore for countersunk screws.

Features and applications

Sheet metal hinges GN 136 are low-designs for low-load applications.

Standard Elements	Main dimensions					Through holes	Weight
Description	l_1	l_2	d_1	m_1	m_2	d_2	g
GN 136-40-40-NI-A	40	40	4	25	25	4.2	34
GN 136-50-50-NI-A	50	50	6	30	30	5.2	62
GN 136-60-60-NI-A	60	60	6	36	36	5.2	82
GN 136-40-40-NI-B	40	40	4	25	25	4.2	33
GN 136-50-50-NI-B	50	50	6	30	30	5.2	60
GN 136-60-60-NI-B	60	60	6	36	36	5.2	82
GN 136-40-40-NI-C	40	40	4	25	25	4.2	32
GN 136-50-50-NI-C	50	50	6	30	30	5.2	60
GN 136-60-60-NI-C	60	60	6	36	36	5.2	82



STANDARD MACHINE ELEMENTS WORLDWIDE