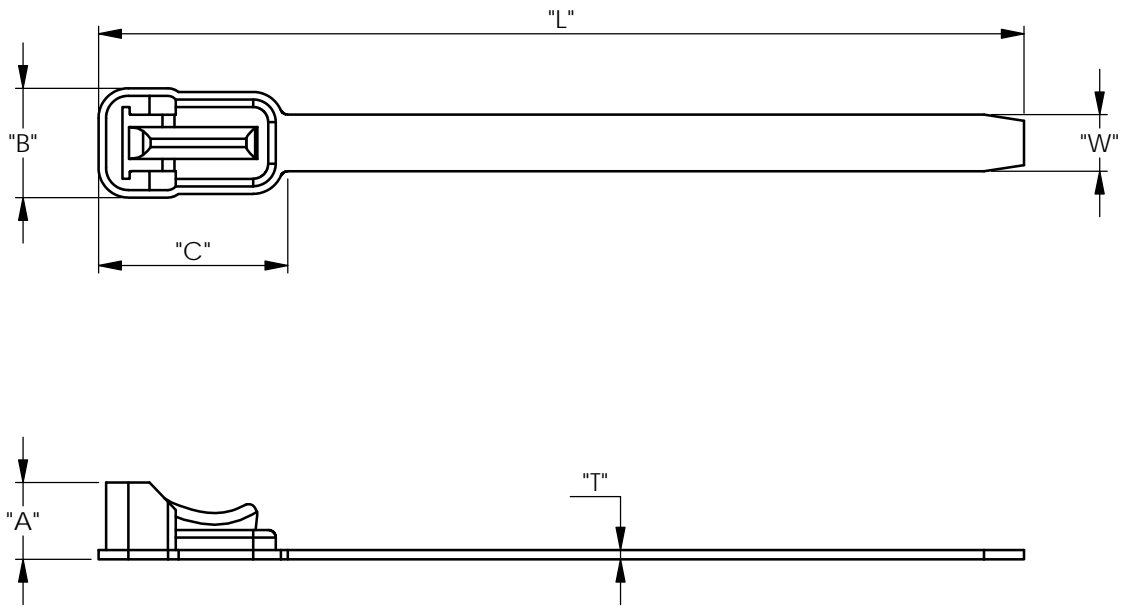


REV.	MODIFICATION.	DATE	DRN
01	PRODUCTION RELEASE	17/01/11	SF



PART NUMBER	MAX TENSILE STRENGTH(N)	"W" REF	"L" REF	"T" REF	MAX BUNDLE Ø	"A" REF	"B" REF	"C" REF
RG-250	220	7.5	200	1.25	50	7.9	10.6	21
RG-252					65			
RG-254			100		350			

INFORMATION CONTAINED IN THIS DOCUMENT IS CONFIDENTIAL TO RICHCO INTERNATIONAL Co. Ltd. AND MAY NOT BE DISCLOSED OR REPRODUCED IN WHOLE OR PART WITHOUT THEIR WRITTEN CONSENT.

RICHCO, INC.
WWW.RICHCO-INC.COM

ALL DIMENSIONS IN mm
 GENERAL TOLERANCES ±0.25
 UNLESS OTHERWISE STATED
 1 DECIMAL PLACE ±
 2 DECIMAL PLACES ±
 ANGULAR ±1°

THIRD ANGLE

MATERIAL: NYLON 6/6 UL94-V2(RMS-01)	COLOUR: NATURAL
DESCRIPTION: RELEASEABLE CABLE TIE	PART No: See Table
DRG No: 011-007	SHEET SIZE A4

DRN SF	DATE 17/01/11	CHKD JK	DATE 18/01/11	SCALE NTS	SHEET No. 1 OF 1
-----------	------------------	------------	------------------	--------------	---------------------