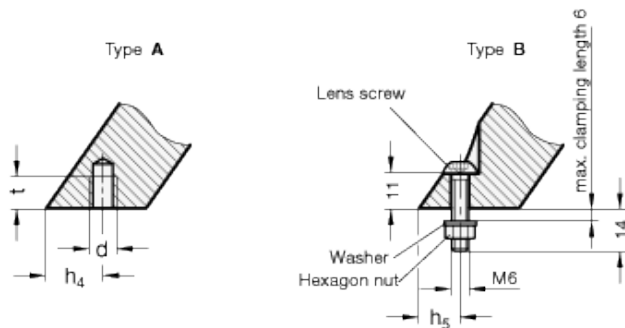
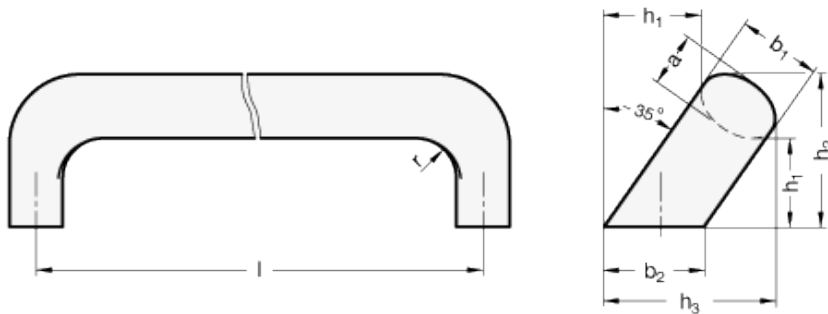


GN 565.2

Inclined handles



technical informations

Material

Aluminium. Oval cross section bar.

- Version BL: blank, tumbled
- Version SW: RAL 9005 black colour, matte finish, epoxy resin coating.
- Version EL: anodised, natural colour, matte finish
- Version SR: RAL 9006 silver colour, matte finish, epoxy resin coating.

Assembly

Tap blind holes.

Standard versions available

- Type A: Mounting from the back (threaded blind bore).
- Type B: Mounting from the operators side.

Special executions on request (For sufficient quantities)

Different lengths.

Features and applications

Inclined cabinet "U" handles GN 565.2 are produced from profiled aluminum extrusions. Produced from profiled aluminum extrusions their special features are their rigidity and ergonomical shaping.

The angled contact surface allows improved access even in tight spaces such as corners.

The manufacturing process (bending) allows the production of special lengths in relatively small quantities.

Standard Elements	Main dimensions										Mounting holes		Weight
Description	b ₁	l _{±0.025}	a	b ₂	h ₁	h ₂	h ₃	h ₄₊₁	h ₅₊₁	r	d	t _{min.}	g
GN 565.2-20-112-A-BL	20	112	13	24	32	48	50	13.5	-	13	M6	10	99
GN 565.2-20-112-A-SW	20	112	13	24	32	48	50	13.5	-	13	M6	10	100
GN 565.2-20-112-A-EL	20	112	13	24	32	48	50	13.5	-	13	M6	10	99
GN 565.2-20-112-A-SR	20	112	13	24	32	48	50	13.5	-	13	M6	10	-
GN 565.2-20-128-A-BL	20	128	13	24	32	48	50	13.5	-	13	M6	10	110
GN 565.2-20-128-A-SW	20	128	13	24	32	48	50	13.5	-	13	M6	10	113
GN 565.2-20-128-A-EL	20	128	13	24	32	48	50	13.5	-	13	M6	10	110
GN 565.2-20-128-A-SR	20	128	13	24	32	48	50	13.5	-	13	M6	10	-
GN 565.2-26-128-A-BL	26	128	17	32	34	54	57	18	-	17	M8	12	190
GN 565.2-26-128-A-SW	26	128	17	32	34	54	57	18	-	17	M8	12	192
GN 565.2-26-128-A-EL	26	128	17	32	34	54	57	18	-	17	M8	12	190
GN 565.2-26-128-A-SR	26	128	17	32	34	54	57	18	-	17	M8	12	-
GN 565.2-26-160-A-BL	26	160	17	32	34	54	57	18	-	17	M8	12	222
GN 565.2-26-160-A-SW	26	160	17	32	34	54	57	18	-	17	M8	12	225
GN 565.2-26-160-A-EL	26	160	17	32	34	54	57	18	-	17	M8	12	222
GN 565.2-26-160-A-SR	26	160	17	32	34	54	57	18	-	17	M8	12	-
GN 565.2-26-128-B-BL	26	128	13	24	32	48	50	-	13	13	-	-	-
GN 565.2-26-128-B-SW	26	128	13	24	32	48	50	-	13	13	-	-	-
GN 565.2-26-128-B-EL	26	128	13	24	32	48	50	-	13	13	-	-	-
GN 565.2-26-128-B-SR	26	128	13	24	32	48	50	-	13	13	-	-	-
GN 565.2-26-160-B-BL	26	160	17	32	34	54	57	-	13	17	-	-	-
GN 565.2-26-160-B-SW	26	160	17	32	34	54	57	-	13	17	-	-	-
GN 565.2-26-160-B-EL	26	160	17	32	34	54	57	-	13	17	-	-	-
GN 565.2-26-160-B-SR	26	160	17	32	34	54	57	-	13	17	-	-	-



ELESA and GANTER models all rights reserved in accordance with the law. Always mention the source when reproducing our drawings.